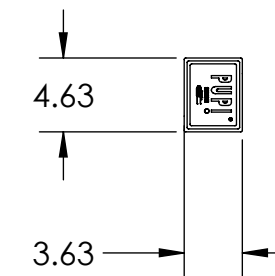
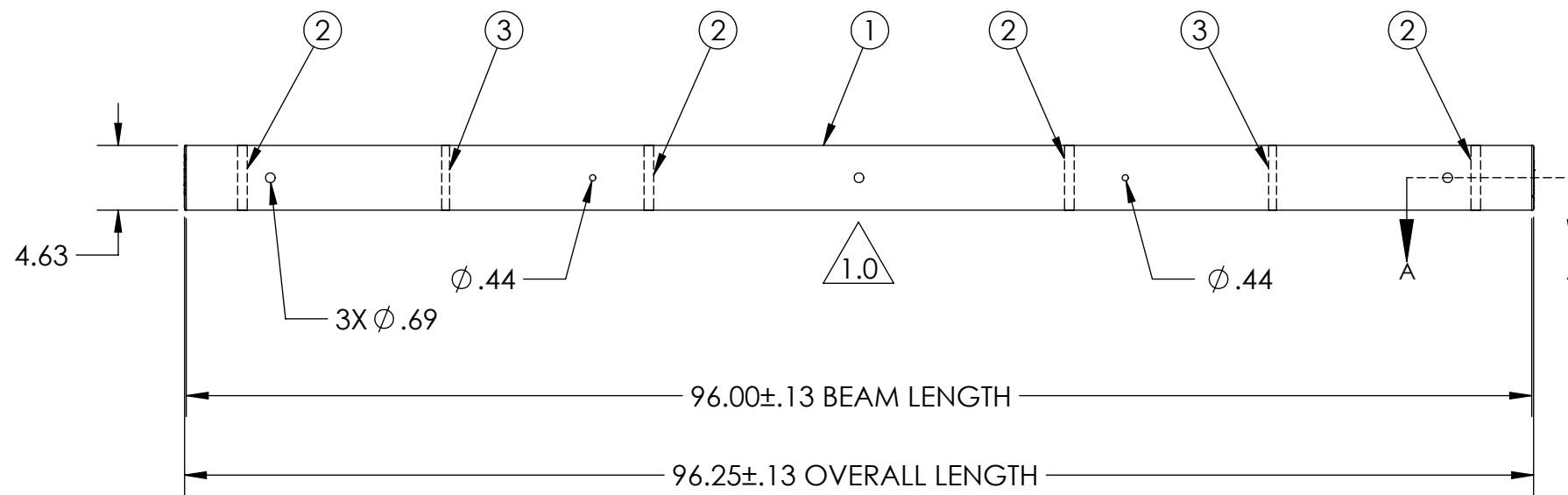
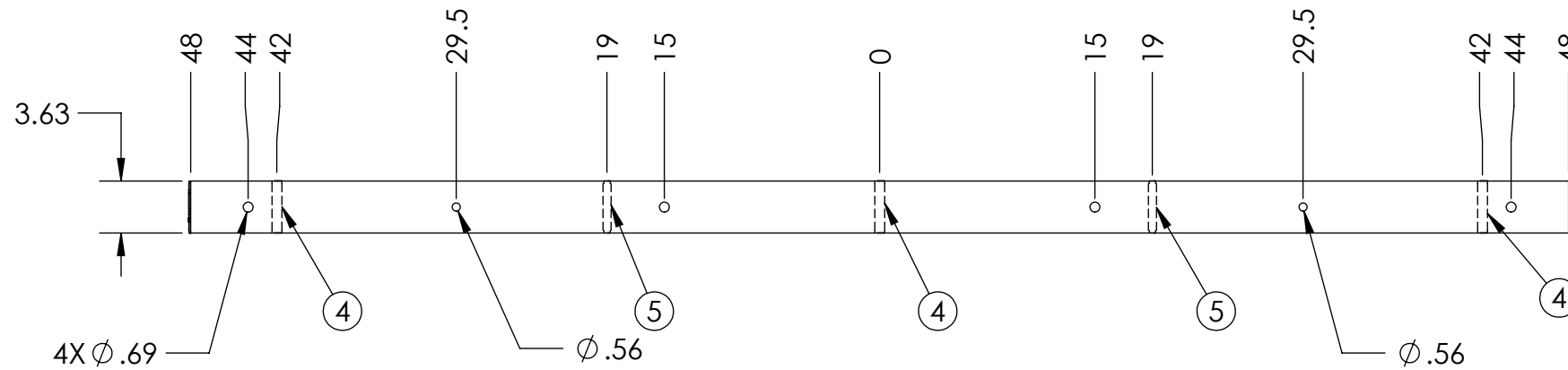
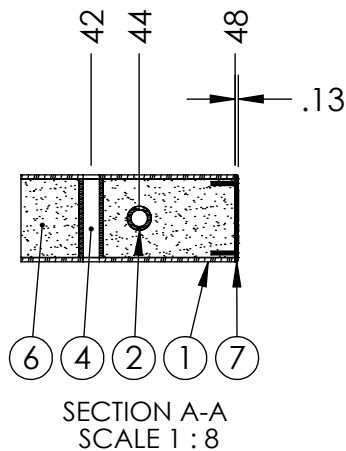



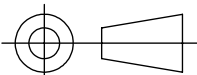
ITEM NO.	PART NUMBER	DESCRIPTION	DESCRIPTION 2	QTY
1	FB-096-22-2	BEAM, PULTRUDED STOCK	SERIES 22 x 96 in, GRAY	1
2	TG0688-0027	BUSHING	11/16 in x 4-1/4 in	4
3	TG0563-0025	BUSHING	9/16 in x 4-1/4 in	2
4	TG0688-0028	BUSHING	11/16 in x 3-1/4 in	3
5	TG0563-0026	BUSHING	9/16 in x 3-1/4 in	2
6	FOAM	-	-	1
7	EC22-0004-2	END CAP	SERIES 22, GRAY	2

PUPI[®]
www.pupicrossarms.com

REVISIONS			
REV.	DESCRIPTION	DATE	INITIALS
0.1	REDRAWN IN SOLIDWORKS	2013-02-14	RAF
1.0	REMOVED HOLES AND BUSHINGS DESIGNED FOR MOUNTS, ECR 1022	2013-03-22	RAF



NOTES:
1. CENTER OF MOUNT HOLE(S) TO HOLES TOLERANCE ±0.06

<p>-----UNLESS OTHERWISE SPECIFIED----- DIMENSIONS ARE IN INCHES INTERPRET DIM AND TOL PER ASME Y14.5-2009 ANGULAR: MACH ±2° BEND ±2° TWO PLACE DECIMAL ±0.02 THREE PLACE DECIMAL ±0.005</p>	STATE: RELEASED 2013-03-28	 <p>1421 SECOND AVE NW STEWARTVILLE, MN 55976 (800) 533-1680 www.geotekinc.com</p>
	DRAWN: RAF 2013-02-14 CHECKED: CAS 2013-03-28 APPROVED: CA 2013-03-28 MATERIAL: S FINISH: REPLACES: C22-96-04XB	
<p>PROPRIETARY AND CONFIDENTIAL THE INFORMATION CONTAINED IN THIS DRAWING IS THE SOLE PROPERTY OF GEOTEK. ANY REPRODUCTION IN PART OR AS A WHOLE WITHOUT THE WRITTEN PERMISSION OF GEOTEK IS PROHIBITED.</p>	THIRD ANGLE PROJECTION 	SIZE: DWG. NO. B T220009604X2 SCALE: 1:12 WEIGHT: 20.20 LBS
		REV: 1.0 SHEET 1 OF 1