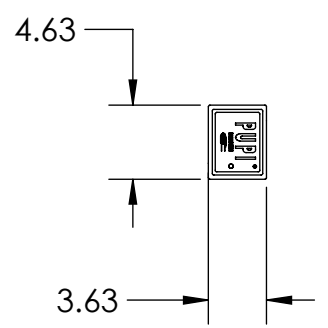
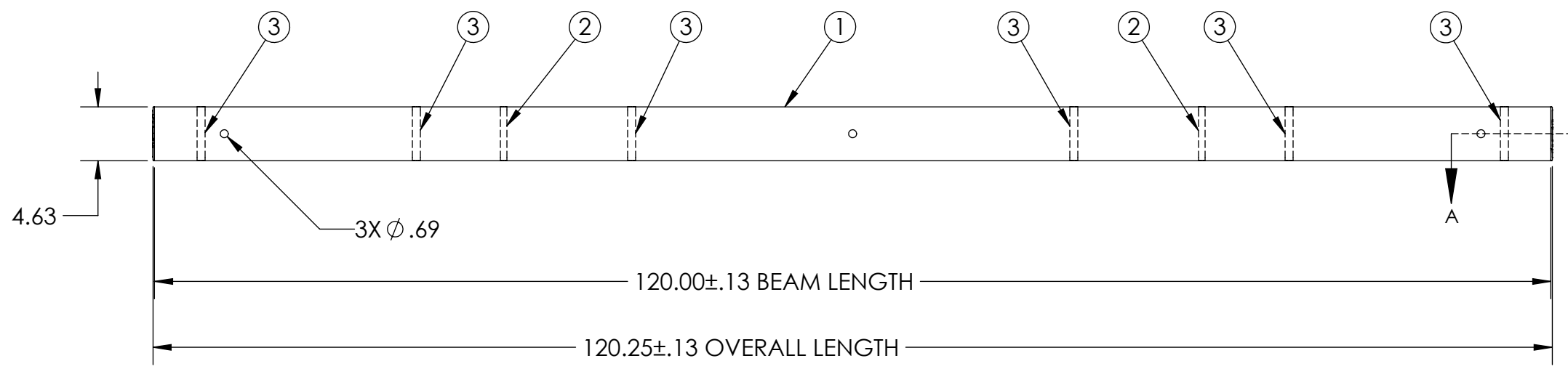
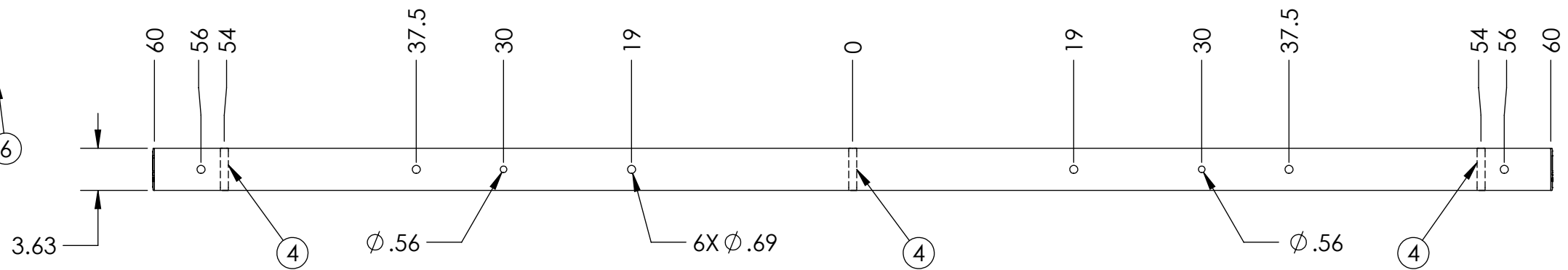
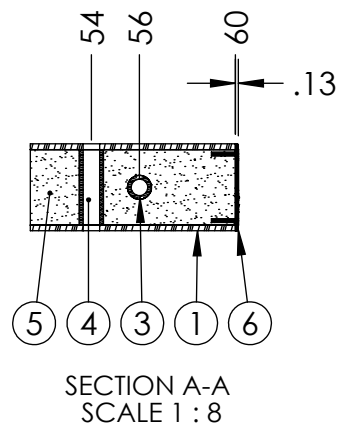


ITEM NO.	PART NUMBER	DESCRIPTION	DESCRIPTION 2	QTY
1	FB-120-2000-2	BEAM, PULTRUDED STOCK	SERIES 2000 x 120 in, GRAY	1
2	TG0563-0001	BUSHING	9/16 in x 4-1/16 in	2
3	TG0688-0003	BUSHING	11/16 in x 4-1/16 in	6
4	TG0688-0004	BUSHING	11/16 in x 3-1/8 in	3
5	FOAM	-	-	1
6	EC20-0001-2	END CAP	SERIES 2000, GRAY	2

PUPI[®]
www.pupicrossarms.com

REVISIONS			
REV.	DESCRIPTION	DATE	INITIALS
1.0	ADDED REPLACES PREVIOUS ITEM NOTE IN TITLE BLOCK	2011-11-29	EFH
1.1	REDRAWN IN SOLIDWORKS	2013-02-14	RAF



NOTES:
1. CENTER OF MOUNT HOLE(S) TO HOLES TOLERANCE ±0.06

<p>-----UNLESS OTHERWISE SPECIFIED-----</p> <p>DIMENSIONS ARE IN INCHES</p> <p>INTERPRET DIM AND TOL PER ASME Y14.5-2009</p> <p>ANGULAR: MACH ±2°</p> <p>BEND ±2°</p> <p>TWO PLACE DECIMAL ±0.02</p> <p>THREE PLACE DECIMAL ±0.005</p>	STATE: RELEASED 2013-03-05	<p>1421 SECOND AVE NW STEWARTVILLE, MN 55976 (800) 533-1680 www.geotekinc.com</p>
	DRAWN: RAF 2013-02-14	
	CHECKED: BRH 2013-03-05	
	APPROVED: BRH 2013-03-05	
<p>PROPRIETARY AND CONFIDENTIAL</p> <p>THE INFORMATION CONTAINED IN THIS DRAWING IS THE SOLE PROPERTY OF GEOTEK. ANY REPRODUCTION IN PART OR AS A WHOLE WITHOUT THE WRITTEN PERMISSION OF GEOTEK IS PROHIBITED.</p>	<p>MATERIAL:</p> <p>FINISH:</p> <p>REPLACES: T2000-120-05X</p> <p>THIRD ANGLE PROJECTION</p>	<p>DESCRIPTION:</p> <p>TANGENT ASSEMBLY, SERIES 2000</p> <p>120 in, RUS 05</p>
<p>SCALE: 1:12</p> <p>WEIGHT: 33.65 LBS</p>	<p>SIZE: DWG. NO.</p> <p>B T200012005X2</p>	<p>REV: 1.1</p> <p>SHEET 1 OF 1</p>