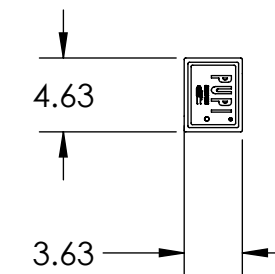
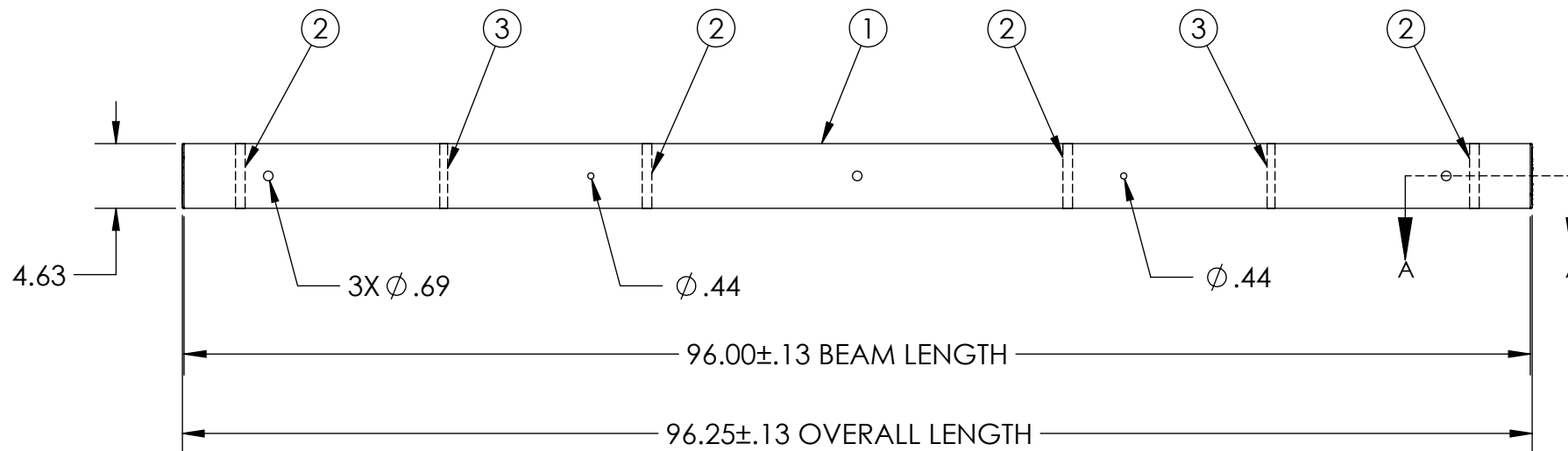
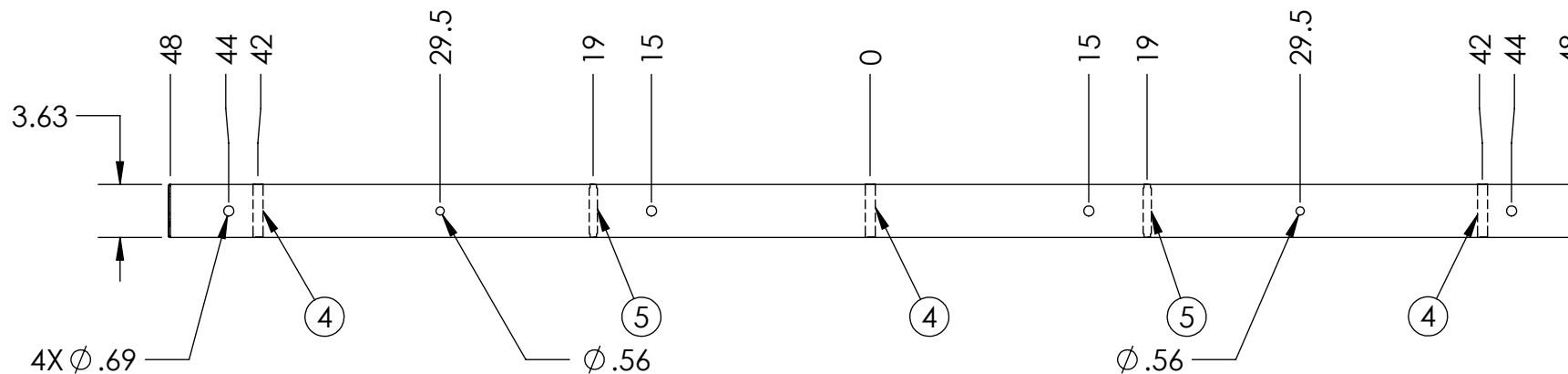
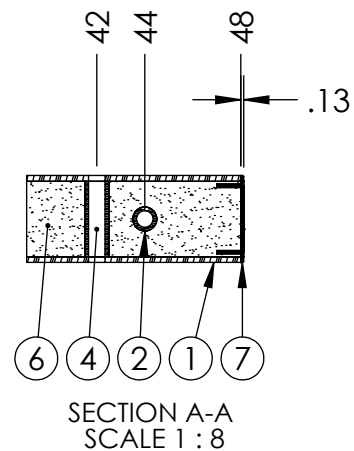


ITEM NO.	PART NUMBER	DESCRIPTION	DESCRIPTION 2	QTY
1	FB-096-2000-2	BEAM, PULTRUDED STOCK	SERIES 2000 x 96 in, GRAY	1
2	TG0688-0003	BUSHING	11/16 in x 4-1/16 in	4
3	TG0563-0001	BUSHING	9/16 in x 4-1/16 in	2
4	TG0688-0004	BUSHING	11/16 in x 3-1/8 in	3
5	TG0563-0002	BUSHING	9/16 in x 3-1/8 in	2
6	FOAM	-	-	1
7	EC20-0001-2	END CAP	SERIES 2000, GRAY	2

PUPI[®]
www.pupicrossarms.com

REVISIONS			
REV.	DESCRIPTION	DATE	INITIALS
0.1	REDRAWN IN SOLIDWORKS	2013-02-14	RAF



NOTES:
1. CENTER OF MOUNT HOLE(S) TO HOLES TOLERANCE ±0.06

<p>-----UNLESS OTHERWISE SPECIFIED-----</p> <p>DIMENSIONS ARE IN INCHES INTERPRET DIM AND TOL PER ASME Y14.5-2009 ANGULAR: MACH ±2° BEND ±2° TWO PLACE DECIMAL ±0.02 THREE PLACE DECIMAL ±0.005</p> <p>PROPRIETARY AND CONFIDENTIAL THE INFORMATION CONTAINED IN THIS DRAWING IS THE SOLE PROPERTY OF GEOTEK. ANY REPRODUCTION IN PART OR AS A WHOLE WITHOUT THE WRITTEN PERMISSION OF GEOTEK IS PROHIBITED.</p>	<p>STATE: RELEASED 2013-03-05</p> <p>DRAWN: RAF 2013-02-14</p> <p>CHECKED: BRH 2013-03-05</p> <p>APPROVED: BRH 2013-03-05</p> <p>MATERIAL:</p> <p>FINISH:</p> <p>REPLACES: TB2000-96-042</p>	<p>GEOTEK <i>A Whole New World of Composites</i></p> <p>1421 SECOND AVE NW STEWARTVILLE, MN 55976 (800) 533-1680 www.geotekinc.com</p>
	<p>DESCRIPTION: TANGENT ASSEMBLY, SERIES 2000 96 in, RUS 04</p> <p>SIZE: DWG. NO. B T200009604X2</p> <p>SCALE: 1:12 WEIGHT: 27.23 LBS</p>	

