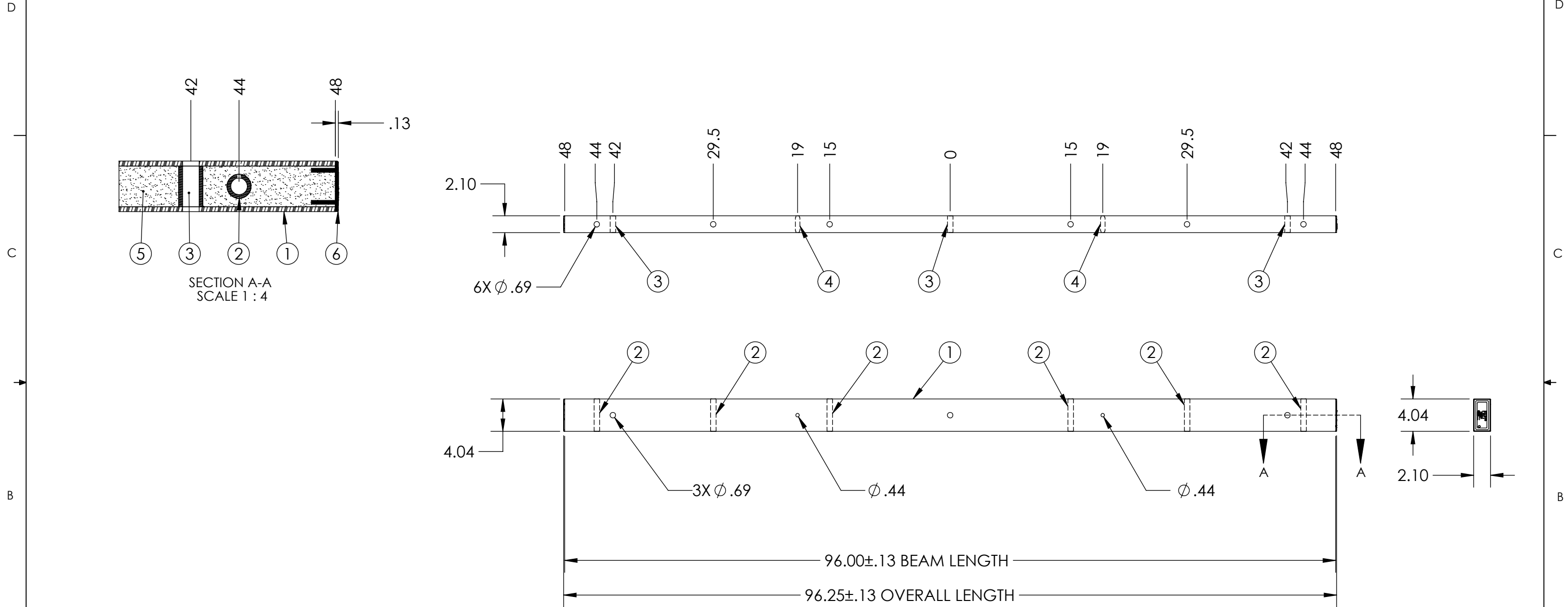



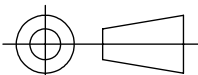
ITEM NO.	PART NUMBER	DESCRIPTION	DESCRIPTION 2	QTY
1	FB-096-1000-2	BEAM, PULTRUDED STOCK	SERIES 1000 x 96 in, GRAY	1
2	TG0688-0015	BUSHING	11/16 in x 3-11/16 in	6
3	TG0688-0016	BUSHING	11/16 in x 1-11/16 in	3
4	TG0563-0014	BUSHING	9/16 in x 1-11/16 in	2
5	FOAM			1
6	EC10-0007-2	END CAP	SERIES 1000, GRAY	2

PUPI[®]
www.pupicrossarms.com

REVISIONS			
REV.	DESCRIPTION	DATE	INITIALS
0.1	REDRAWN IN SOLIDWORKS	2013-02-01	RAF



NOTES:
1. CENTER OF MOUNT HOLE(S) TO HOLES TOLERANCE \pm 0.06

<p>-----UNLESS OTHERWISE SPECIFIED-----</p> <p>DIMENSIONS ARE IN INCHES</p> <p>INTERPRET DIM AND TOL PER ASME Y14.5-2009</p> <p>ANGULAR: MACH \pm2°</p> <p>BEND \pm2°</p> <p>TWO PLACE DECIMAL \pm0.02</p> <p>THREE PLACE DECIMAL \pm0.005</p>	STATE: RELEASED 2013-03-05	 <p>1421 SECOND AVE NW STEWARTVILLE, MN 55976 (800) 533-1680 www.geotekinc.com</p>
	<p>DRAWN: RAF 2013-02-01</p> <p>CHECKED: BRH 2013-03-05</p> <p>APPROVED: BRH 2013-03-05</p> <p>MATERIAL:</p> <p>FINISH:</p> <p>REPLACES: T1000-96-04X</p>	
<p>PROPRIETARY AND CONFIDENTIAL</p> <p>THE INFORMATION CONTAINED IN THIS DRAWING IS THE SOLE PROPERTY OF GEOTEK. ANY REPRODUCTION IN PART OR AS A WHOLE WITHOUT THE WRITTEN PERMISSION OF GEOTEK IS PROHIBITED.</p>	<p>THIRD ANGLE PROJECTION</p> 	<p>SIZE: DWG. NO. B T100009604X2</p> <p>SCALE: 1:12 WEIGHT: 15.30 LBS</p>
		<p>REV: 0.1</p> <p>SHEET 1 OF 1</p>