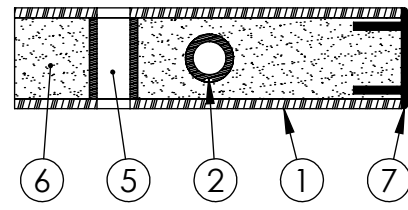


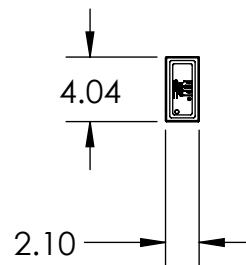
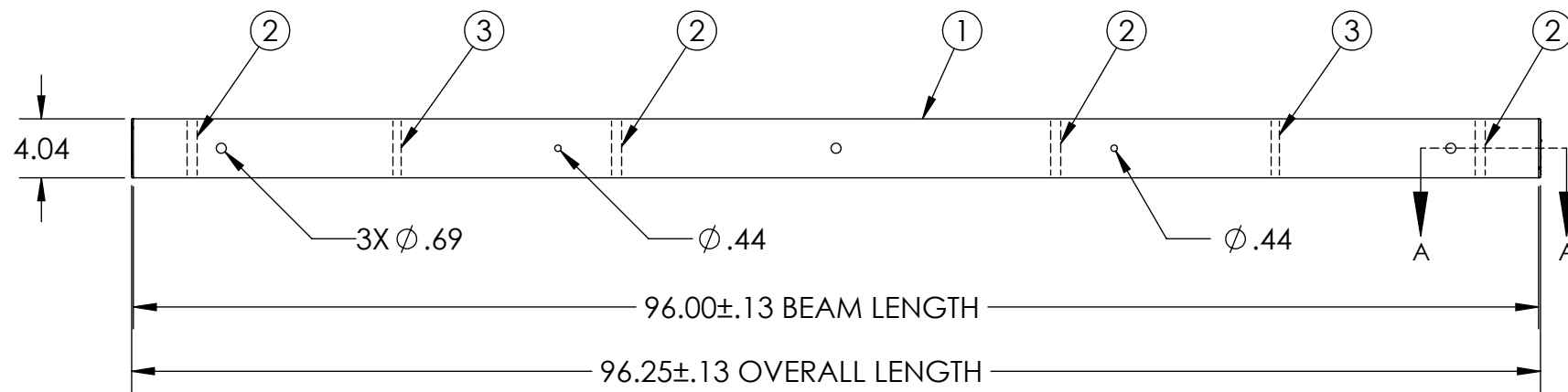
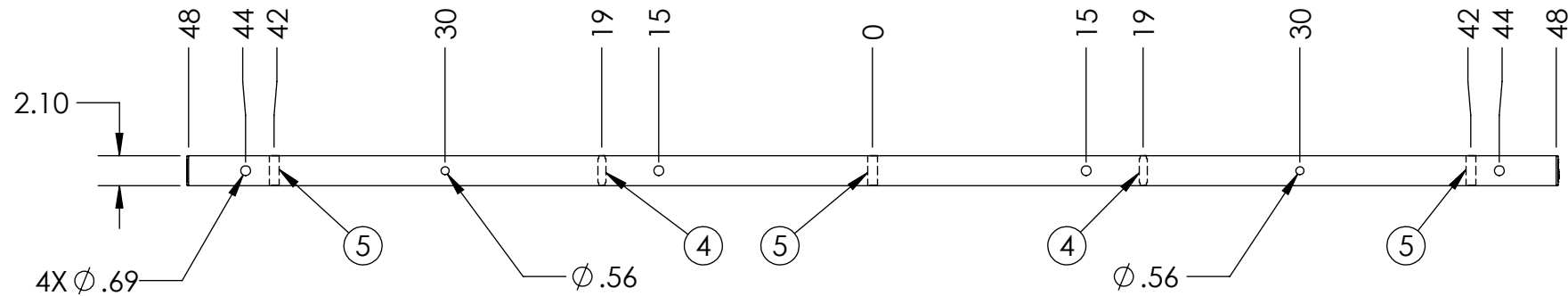
ITEM NO.	PART NUMBER	DESCRIPTION	DESCRIPTION 2	QTY
1	FB-096-1000-2	BEAM, PULTRUDED STOCK	SERIES 1000 x 96 in, GRAY	1
2	TG0688-0015	BUSHING	11/16 in x 3-11/16 in	4
3	TG0563-0013	BUSHING	9/16 in x 3-11/16 in	2
4	TG0563-0014	BUSHING	9/16 in x 1-11/16 in	2
5	TG0688-0016	BUSHING	11/16 in x 1-11/16 in	3
6	FOAM			1
7	EC10-0007-2	END CAP	SERIES 1000, GRAY	2

PUPI[®]
www.pupicrossarms.com


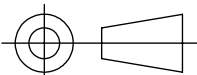
REVISIONS			
REV.	DESCRIPTION	DATE	INITIALS
1.0	ADDED PREVIOUS ITEM NOTE IN TITLE BLOCK	2011-11-29	EFH
1.1	REDRAWN IN SOLIDWORKS	2013-01-21	RAF



SECTION A-A
SCALE 1:4



NOTES:
1. CENTER OF MOUNT HOLE(S) TO HOLE(S) TOLERANCE ±0.06

<p>-----UNLESS OTHERWISE SPECIFIED----- DIMENSIONS ARE IN INCHES INTERPRET DIM AND TOL PER ASME Y14.5-2009 ANGULAR: MACH ±2° BEND ±2° TWO PLACE DECIMAL ±0.02 THREE PLACE DECIMAL ±0.005</p>	STATE: RELEASED 2013-03-05	 <p>1421 SECOND AVE NW STEWARTVILLE, MN 55976 (800) 533-1680 www.geotekinc.com</p>
	DRAWN: RAF 2013-01-21 CHECKED: BRH 2013-03-05 APPROVED: BRH 2013-03-05 MATERIAL: FINISH: REPLACES: T1000-96-03X	
<p>PROPRIETARY AND CONFIDENTIAL THE INFORMATION CONTAINED IN THIS DRAWING IS THE SOLE PROPERTY OF GEOTEK. ANY REPRODUCTION IN PART OR AS A WHOLE WITHOUT THE WRITTEN PERMISSION OF GEOTEK IS PROHIBITED.</p>	THIRD ANGLE PROJECTION 	SIZE: DWG. NO. B T100009603X2 SCALE: 1:12 WEIGHT: 15.38 LBS
		REV: 1.1 SHEET 1 OF 1