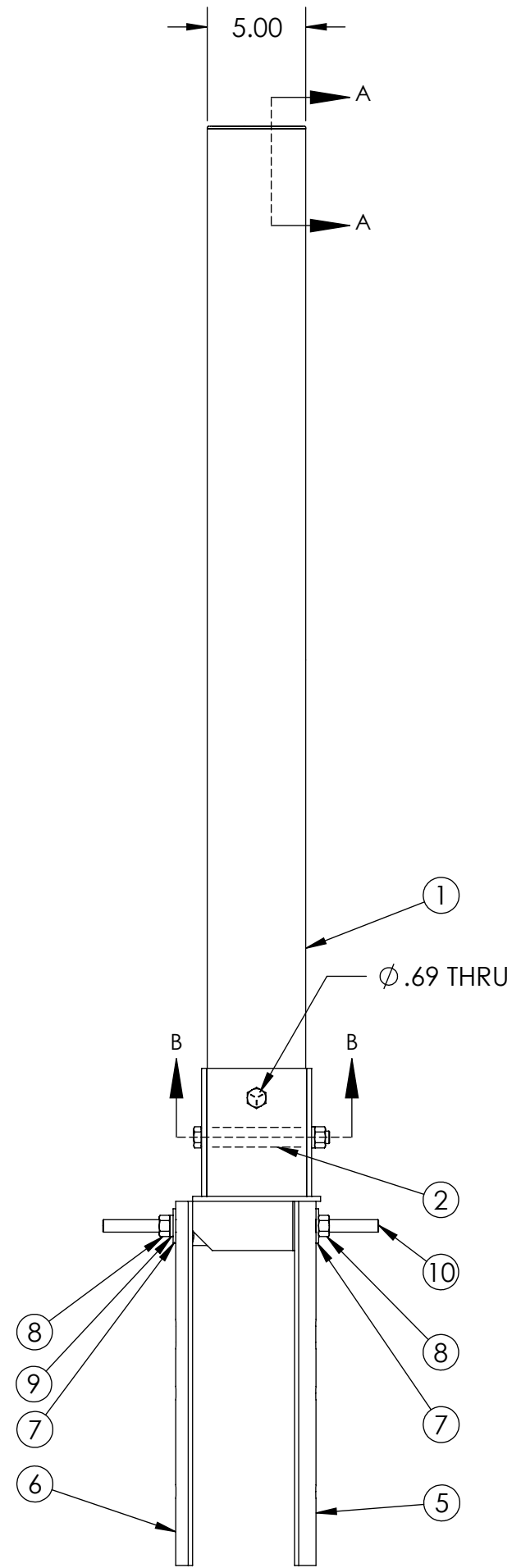
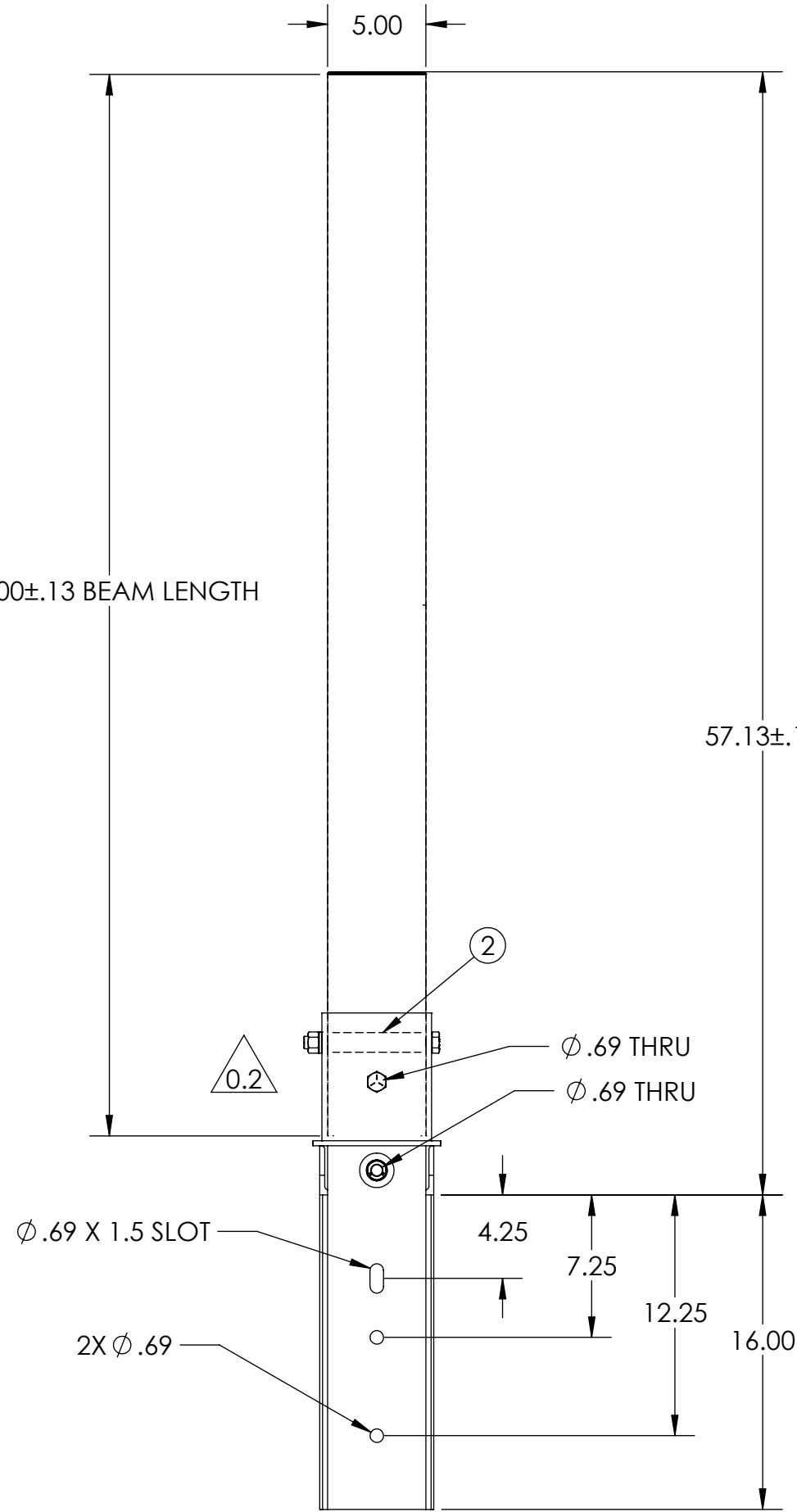
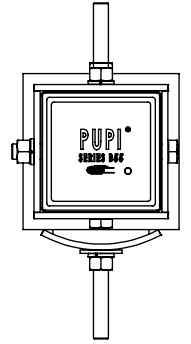
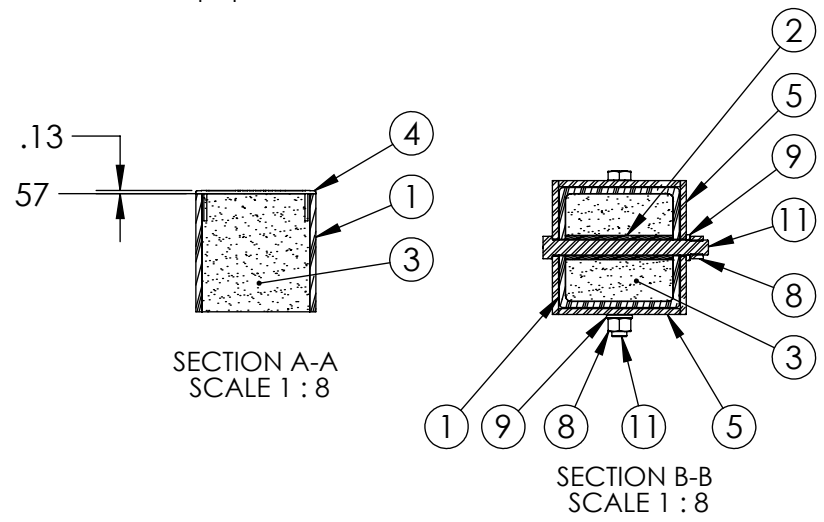


ITEM NO.	PART NUMBER	DESCRIPTION	DESCRIPTION 2	QTY
1	FB-054-M5-2	BEAM, PULTRUDED STOCK	SERIES M5 x 54 in	1
2	TG0688-0074	BUSHING	11/16 in x 4-1/2 in	2
3	FOAM	-	-	1
4	ECM1-0014-2	END CAP	SERIES M1, GRAY, SPECIAL	2
5	BK-0069	BRACKET ASSEMBLY, POLE TOP	-	1
6	BK-0072	BRACKET ASSEMBLY, POLE TOP	-	1
7	RW0688-0015	ROUND WASHER	5/8 in	2
8	HN0625-0004	HEX NUT	5/8 in - 11	4
9	LW0625-0004	LOCK WASHER	5/8 in	3
10	TR0625-0004	THREADED ROD	5/8 in - 11 x 14 in	1
11	HB0625-0002	HEX BOLT	5/8 in - 11 x 6-1/2 in	2

**PUPI**<sup>®</sup>  
www.pupicrossarms.com



REVISIONS			
REV.	DESCRIPTION	DATE	INITIALS
0.1	UPDATE DRAWING TO COMPANY STANDARD LAYOUT	2013-06-12	RAF
0.2	CLEAN FILE, DESIGN CHANGE TO BK-0069	2014-04-03	RAF

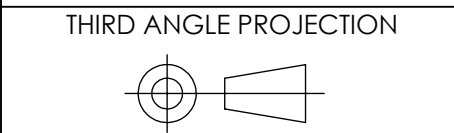
-----UNLESS OTHERWISE SPECIFIED-----  
DIMENSIONS ARE IN INCHES  
INTERPRET DIM AND TOL PER ASME Y14.5-2009  
ANGULAR: MACH ± 2°  
BEND ± 2°  
TWO PLACE DECIMAL ± 0.02  
THREE PLACE DECIMAL ± 0.005

STATE:	RELEASED	2014-04-14
DRAWN:	BRH	2013-05-07
CHECKED:	ENG	2014-04-14
APPROVED:	ENG	2014-04-14
MATERIAL:		
FINISH:		
REPLACES:		

**GEOTEK**  
A Whole New World of Composites  
1421 SECOND AVE NW  
STEWARTVILLE, MN 55976  
(800) 533-1680  
www.geotekinc.com

DESCRIPTION:  
**POLE TOP ASSEMBLY, SERIES M5  
54 in, PUPI SPX**

**PROPRIETARY AND CONFIDENTIAL**  
THE INFORMATION CONTAINED IN THIS DRAWING IS THE SOLE  
PROPERTY OF GEOTEK. ANY REPRODUCTION IN PART OR AS  
A WHOLE WITHOUT THE WRITTEN PERMISSION OF GEOTEK IS  
PROHIBITED.



SIZE: DWG. NO.	REV:
<b>B</b> BMM500054SPX2	<b>0.2</b>
SCALE: 1:8	WEIGHT: 56.48 LBS
SHEET 1 OF 1	