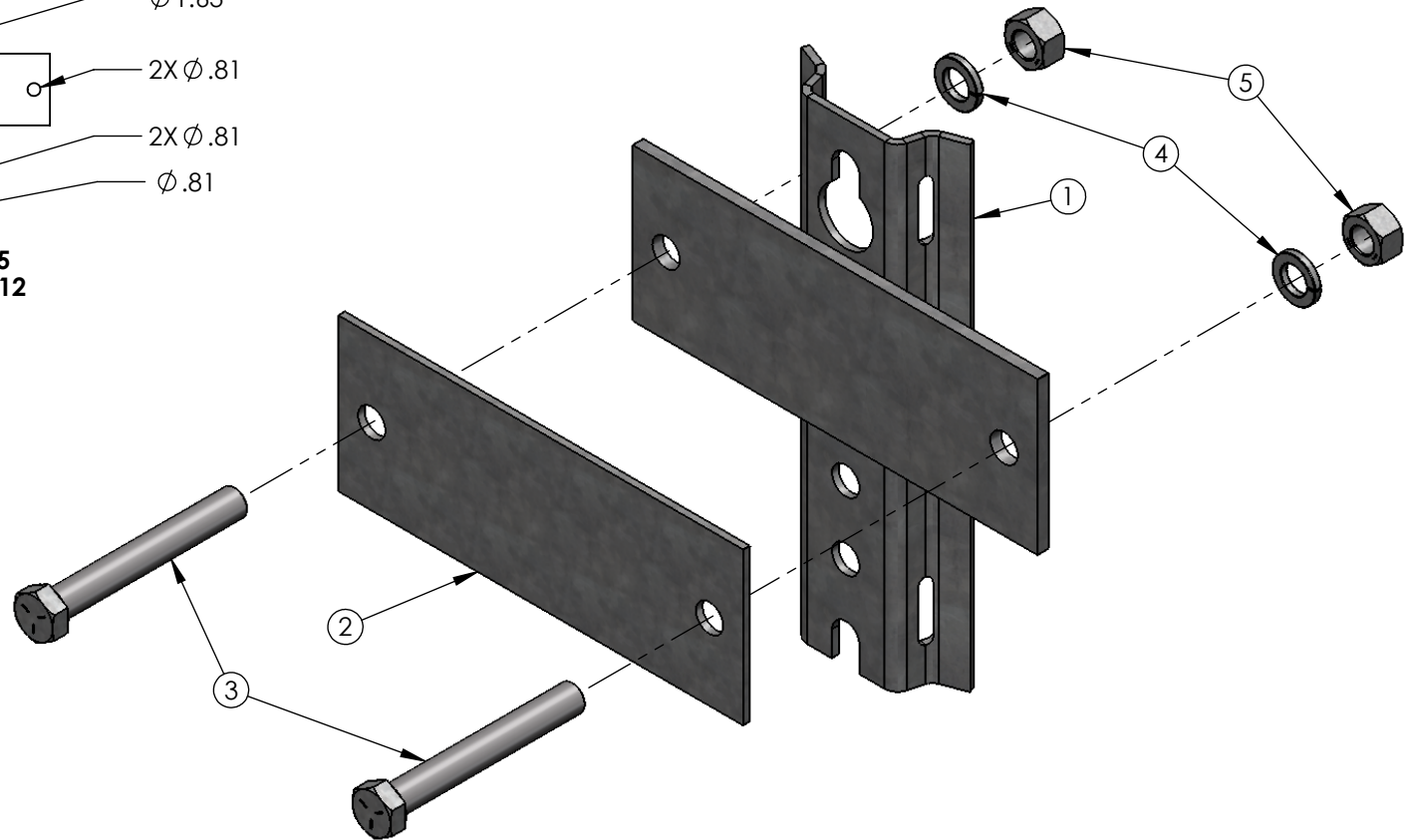
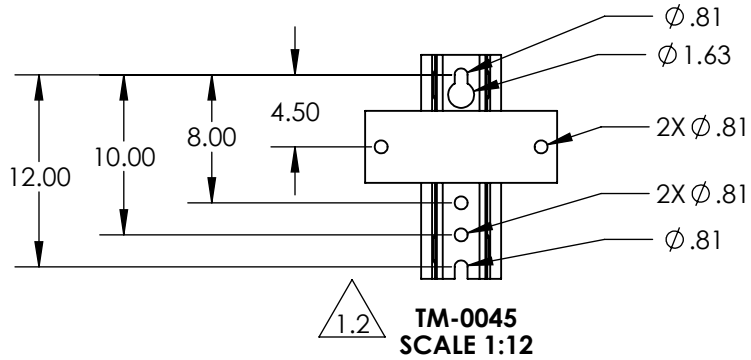


ITEM NO.	PART NUMBER	DESCRIPTION	DESCRIPTION 2	QTY
1	TM-0045	MOUNT ASSEMBLY, TANGENT	SDLH	1
2	PL-0037	PLATE, FRONT		1
3	HB0750-0001	HEX BOLT	3/4 in - 10 x 5-1/2 in	2
4	LW0750-0001	LOCK WASHER	3/4 in	2
5	HN0750-0001	HEX NUT	3/4 in - 10	2



www.pupicrossarms.com

REVISIONS			
REV.	DESCRIPTION	DATE	INITIALS
1.1	REDRAWN IN SOLIDWORKS	2013-04-19	BRH
1.2	ADD VIEW FOR ADDITIONAL DETAILS	2013-08-22	RAF



<p>-----UNLESS OTHERWISE SPECIFIED-----</p> <p>DIMENSIONS ARE IN INCHES</p> <p>INTERPRET DIM AND TOL PER ASME Y14.5-2009</p> <p>ANGULAR: MACH $\pm 2^\circ$</p> <p>BEND $\pm 2^\circ$</p> <p>TWO PLACE DECIMAL ± 0.02</p> <p>THREE PLACE DECIMAL ± 0.005</p>	STATE: RELEASED	2013-10-18	<p>1421 SECOND AVE NW STEWARTVILLE, MN 55976 (800)533-1680 www.geotekinc.com</p>	
	DRAWN: RAF	2013-04-19		
	CHECKED: BRH	2013-10-18		
	APPROVED: BRH	2013-10-18		
<p>PROPRIETARY AND CONFIDENTIAL</p> <p>THE INFORMATION CONTAINED IN THIS DRAWING IS THE SOLE PROPERTY OF GEOTEK. ANY REPRODUCTION IN PART OR AS A WHOLE WITHOUT THE WRITTEN PERMISSION OF GEOTEK IS PROHIBITED.</p>	MATERIAL:		DESCRIPTION: HARDWARE KIT, TANGENT SDLH MOUNT	
	FINISH:		SIZE: DWG NO: A TMB-4	REV: 1.2
	REPLACES:		SCALE: 1:4	WEIGHT: 14.11 LBS
		THIRD ANGLE PROJECTION		SHEET 1 of 1