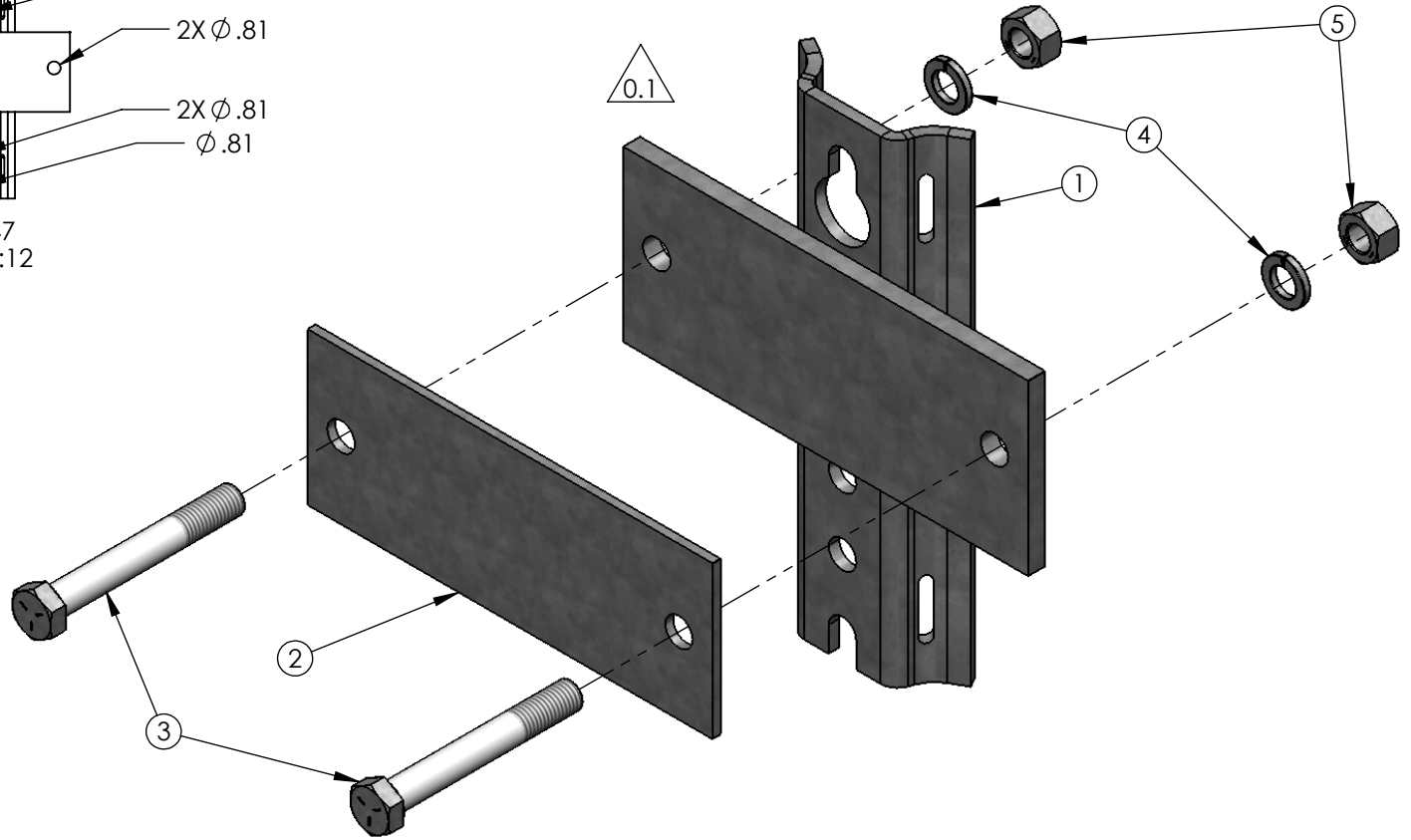
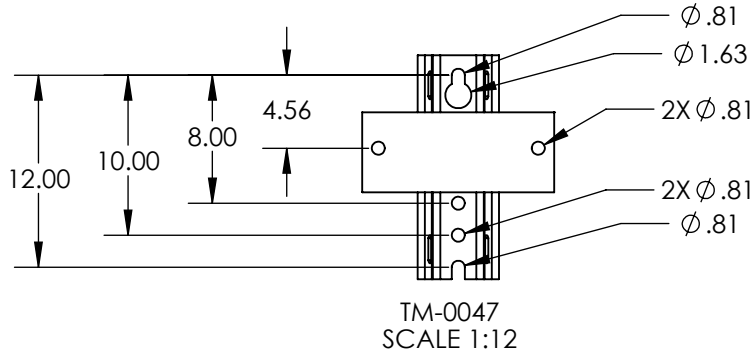


ITEM NO.	PART NUMBER	DESCRIPTION	DESCRIPTION 2	QTY
1	TM-0047	MOUNT ASSEMBLY, TANGENT	HDLH	1
2	PL-0001	PLATE, FRONT		1
3	HB0750-0001	HEX BOLT	3/4 in - 10 x 5-1/2 in	2
4	LW0750-0001	LOCK WASHER	3/4 in	2
5	HN0750-0001	HEX NUT	3/4 in - 10	2

**GEOTEK**  
www.pupicrossarms.com

REVISIONS			
REV.	DESCRIPTION	DATE	INITIALS
0.1	CHANGE WIRE FRAME TO SHADED VIEW	2013-08-22	RAF

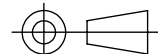


-----UNLESS OTHERWISE SPECIFIED-----  
DIMENSIONS ARE IN INCHES  
INTERPRET DIM AND TOL PER ASME Y14.5-2009  
ANGULAR: MACH  $\pm 2^\circ$   
BEND  $\pm 2^\circ$   
TWO PLACE DECIMAL  $\pm 0.02$   
THREE PLACE DECIMAL  $\pm 0.005$

**PROPRIETARY AND CONFIDENTIAL**  
THE INFORMATION CONTAINED IN THIS DRAWING IS THE SOLE PROPERTY OF GEOTEK. ANY REPRODUCTION IN PART OR AS A WHOLE WITHOUT THE WRITTEN PERMISSION OF GEOTEK IS PROHIBITED.

STATE:	RELEASED	2013-10-18
DRAWN:	RAF	2013-05-06
CHECKED:	BRH	2013-10-18
APPROVED:	BRH	2013-10-18

MATERIAL:  
FINISH:  
REPLACES:



THIRD ANGLE  
PROJECTION

**GEOTEK**  
A Whole New World of Composites

1421 SECOND AVE NW  
STEWARTVILLE, MN 55976  
(800)533-1680  
www.geotekinc.com

DESCRIPTION:  
HARDWARE KIT, TANGENT  
HDLH MOUNT

SIZE: DWG NO:  
**A** TMB-3

REV:  
0.1

SCALE: 1:4 WEIGHT: 20.86 LBS

SHEET 1 of 1