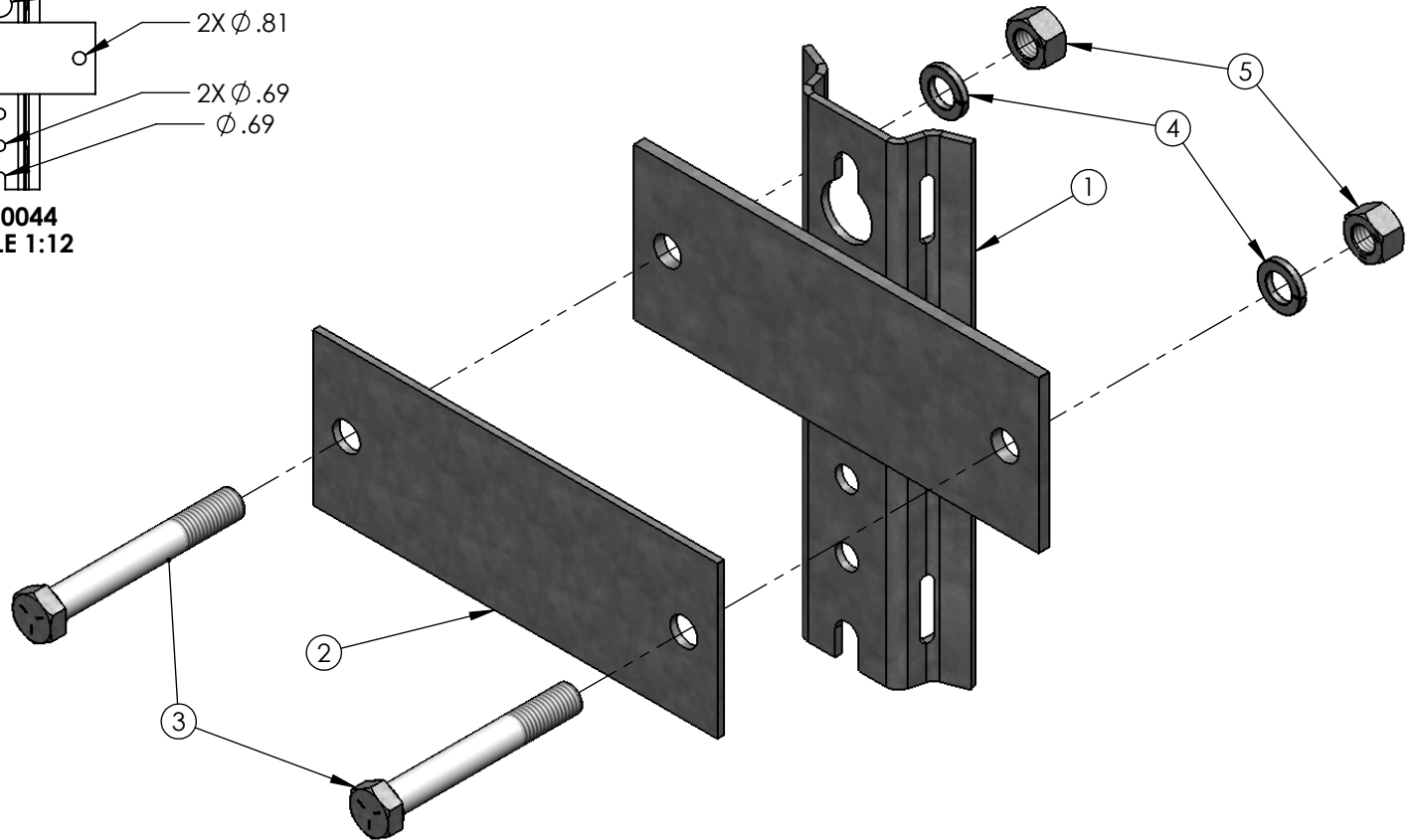
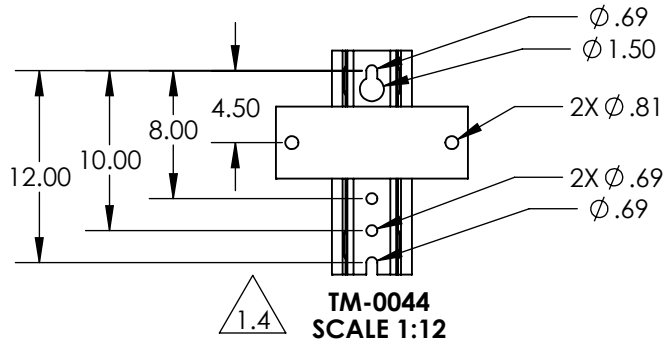


ITEM NO.	PART NUMBER	DESCRIPTION	DESCRIPTION 2	QTY
1	TM-0044	MOUNT ASSEMBLY, TANGENT	SD	1
2	PL-0037	PLATE, FRONT		1
3	HB0750-0001	HEX BOLT	3/4 in - 10 x 5-1/2 in	2
4	LW0750-0001	LOCK WASHER	3/4 in	2
5	HN0750-0001	HEX NUT	3/4 in - 10	2



www.pupicrossarms.com

REVISIONS			
REV.	DESCRIPTION	DATE	INITIALS
1.1	REDRAWN IN SOLIDWORKS	2013-04-19	BRH
1.2	UPDATED FACEPLATE	2013-04-19	BRH
1.3	CORRECT SOLIDWORKS REBUILD ERROR	2013-04-19	BRH
1.4	ADD VIEW FOR ADDITIONAL DETAILS	2013-08-21	RAF



<p>-----UNLESS OTHERWISE SPECIFIED----- DIMENSIONS ARE IN INCHES INTERPRET DIM AND TOL PER ASME Y14.5-2009 ANGULAR: MACH $\pm 2^\circ$ BEND $\pm 2^\circ$ TWO PLACE DECIMAL ± 0.02 THREE PLACE DECIMAL ± 0.005</p>	STATE: RELEASED	2013-10-18	<p>1421 SECOND AVE NW STEWARTVILLE, MN 55976 (800)533-1680 www.geotekinc.com</p>
	DRAWN: RAF	2013-04-19	
	CHECKED: BRH	2013-10-18	
	APPROVED: BRH	2013-10-18	
<p>PROPRIETARY AND CONFIDENTIAL THE INFORMATION CONTAINED IN THIS DRAWING IS THE SOLE PROPERTY OF GEOTEK. ANY REPRODUCTION IN PART OR AS A WHOLE WITHOUT THE WRITTEN PERMISSION OF GEOTEK IS PROHIBITED.</p>	MATERIAL:		DESCRIPTION: HARDWARE KIT, TANGENT SD MOUNT
	FINISH:		SIZE: DWG NO: A TMB-2
	REPLACES:		SCALE: 1:4
			WEIGHT: 14.17 LBS
			SHEET 1 of 1