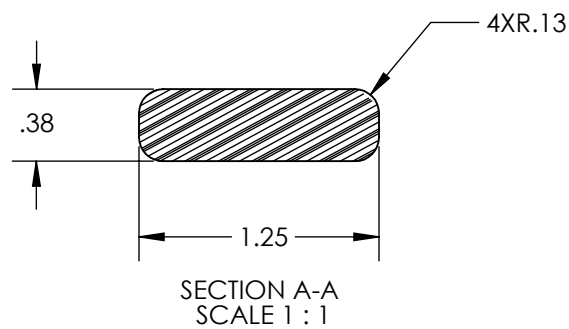
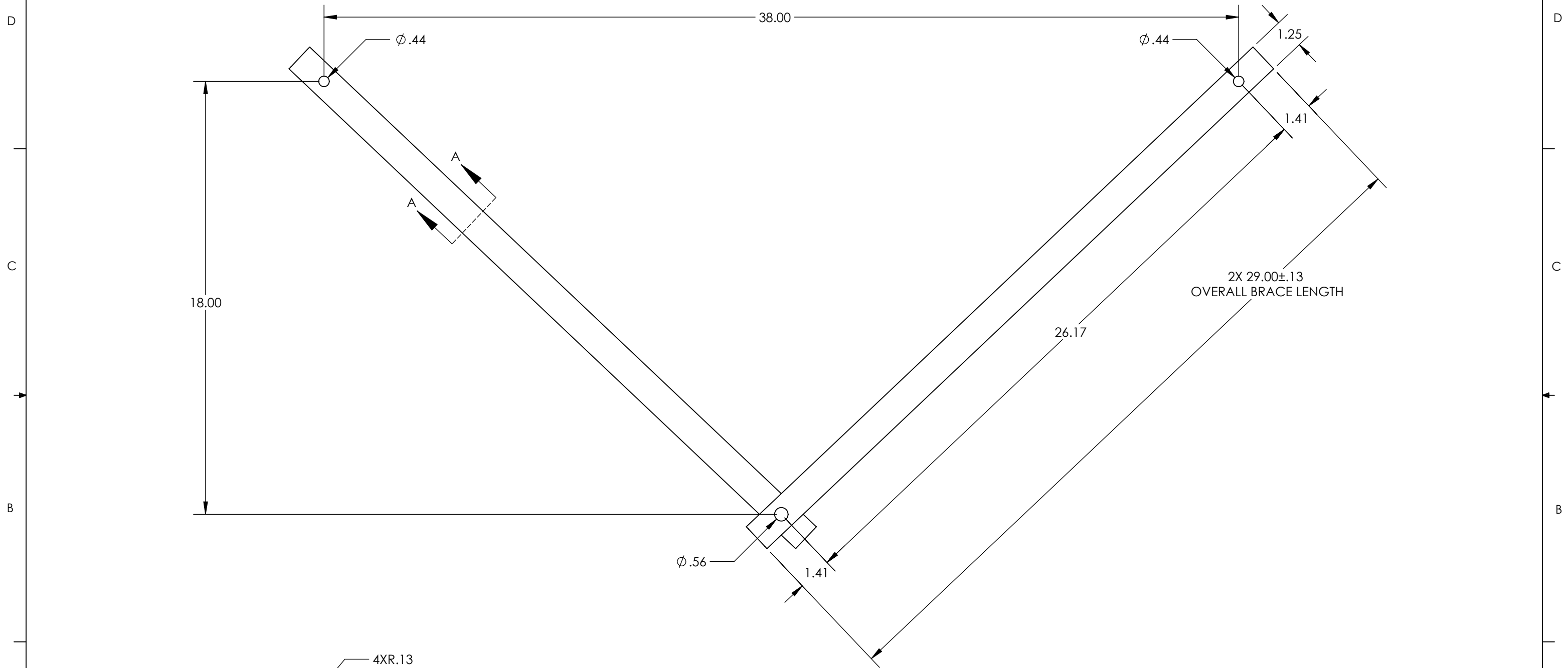


ITEM NO.	PART NUMBER	DESCRIPTION	DESCRIPTION 2	QTY
1	B3818SMSPX12	BRACE, FLAT	29 in, SET OF 2	1



REVISIONS			
REV.	DESCRIPTION	DATE	INITIALS
0.1	REDRAWN IN SOLIDWORKS	2013-04-30	RAF



-----UNLESS OTHERWISE SPECIFIED-----  
 DIMENSIONS ARE IN INCHES  
 INTERPRET DIM AND TOL PER ASME Y14.5-2009  
 ANGULAR: MACH ± 2°  
 BEND ± 2°  
 TWO PLACE DECIMAL ± 0.02  
 THREE PLACE DECIMAL ± 0.005

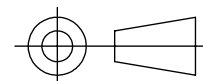
**PROPRIETARY AND CONFIDENTIAL**  
 THE INFORMATION CONTAINED IN THIS DRAWING IS  
 THE SOLE PROPERTY OF GEOTEK. ANY REPRODUCTION  
 IN PART OR AS A WHOLE WITHOUT THE WRITTEN  
 PERMISSION OF GEOTEK IS PROHIBITED.

STATE:	RELEASED	2013-05-01
DRAWN:	RAF	2013-04-30
CHECKED:	TSK	2013-05-01
APPROVED:	TSK	2013-05-01

MATERIAL:  
 FLAT BRACE  
 FINISH:

REPLACES:  
 B3818-SM

THIRD ANGLE PROJECTION



1421 SECOND AVE NW  
 STEWARTVILLE, MN 55976  
 (800) 533-1680  
 www.geotekinc.com

DESCRIPTION:  
**BRACE, FLAT**  
**29 in, SET OF 2**

SIZE:	DWG. NO.	REV:
<b>B</b>	<b>B3818SMSPX12</b>	<b>0.1</b>

SCALE: 1:4	WEIGHT: 1.69 LBS	SHEET 1 OF 1
------------	------------------	--------------