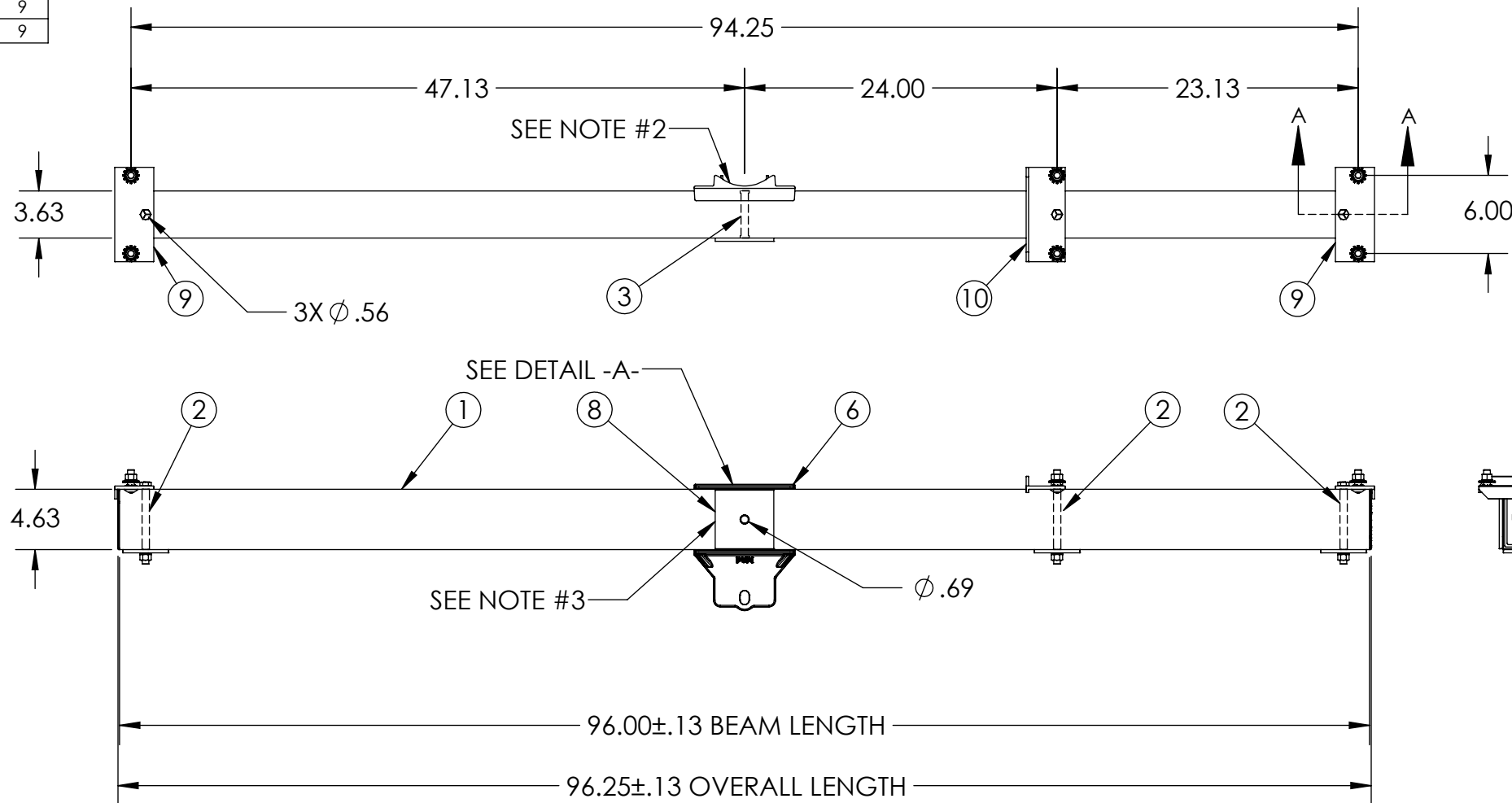
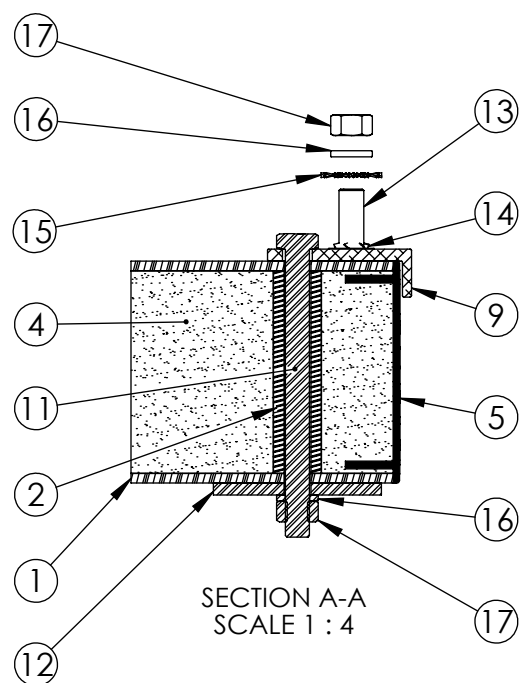
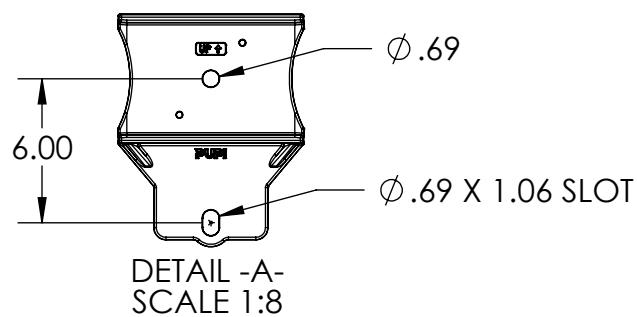


ITEM NO.	PART NUMBER	DESCRIPTION	DESCRIPTION 2	QTY
1	FB-096-22-2	BEAM, PULTRUDED STOCK	SERIES 22 x 96 in, GRAY	1
2	TG0563-0025	BUSHING	9/16 in x 4-1/4 in	3
3	TG0563-0026	BUSHING	9/16 in x 3-1/4 in	1
4	FOAM	-	-	1
5	EC22-0004-2	END CAP	SERIES 22, GRAY	2
6	TM-0052	MOUNT, TANGENT	-	1
7	HS0164-0001	HEX SCREW, SELF-TAPPING	#8-18 x 1 in	2
8	SW0688-0017	SQUARE WASHER	11/16 in, 4-1/2 in x 1/4 in	1
9	BK-0118	ANGLE BRACKET		2
10	BK-0120	T-BRACKET		1
11	HB0500-0009	HEX BOLT	1/2 in - 13 x 6 in	3
12	SW0563-0022	SQUARE WASHER	9/16 in, 3-1/2 in x 1/4 in	3
13	CB0500-0008	CARRIAGE BOLT	1/2 in - 13 x 1-1/2 in	6
14	PN0500-0010	PUSHNUT		6
15	TW0500-0008	TOOTH LOCK WASHER	1/2 in	6
16	LW0500-0007	LOCK WASHER	1/2 in	9
17	HN0500-0005	HEX NUT	1/2 in - 13	9

PUPI[®]
www.pupicrossarms.com

REVISIONS			
REV.	DESCRIPTION	DATE	INITIALS



- NOTES:
 1. CENTER OF MOUNT HOLE(S) TO HOLES TOLERANCE ±0.06
 2. NOT SHOWN ARE 2X HS0164-0001, WHICH ARE USED TO FASTEN MOUNT TO THE BACK OF BEAM
 3. SQUARE WASHER SW0688-0022 IS SHIPPED SEPARATELY

<p>-----UNLESS OTHERWISE SPECIFIED----- DIMENSIONS ARE IN INCHES INTERPRET DIM AND TOL PER ASME Y14.5-2009 ANGULAR: MACH ±2° BEND ±2° TWO PLACE DECIMAL ±0.02 THREE PLACE DECIMAL ±0.005</p>	STATE: APPROVED 2014-08-21 DRAWN: RAF 2014-07-21 CHECKED: LPB 2014-08-21 APPROVED: LPB 2014-08-21 MATERIAL: FINISH: REPLACES:	<p>1421 SECOND AVE NW STEWARTVILLE, MN 55976 (800) 533-1680 www.geotekinc.com</p>
	DESCRIPTION: EQUIPMENT ARM ASSEMBLY SERIES 2200, 96 in	
<p>PROPRIETARY AND CONFIDENTIAL THE INFORMATION CONTAINED IN THIS DRAWING IS THE SOLE PROPERTY OF GEOTEK. ANY REPRODUCTION IN PART OR AS A WHOLE WITHOUT THE WRITTEN PERMISSION OF GEOTEK IS PROHIBITED.</p>	THIRD ANGLE PROJECTION 	SIZE: DWG. NO. B EZ22000960012 SCALE: 1:12 WEIGHT: 31.28 LBS
		REV: 0.0 SHEET 1 OF 1