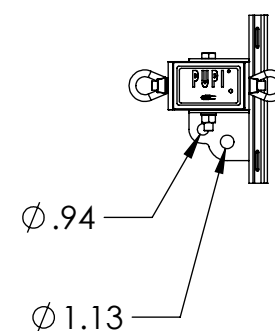
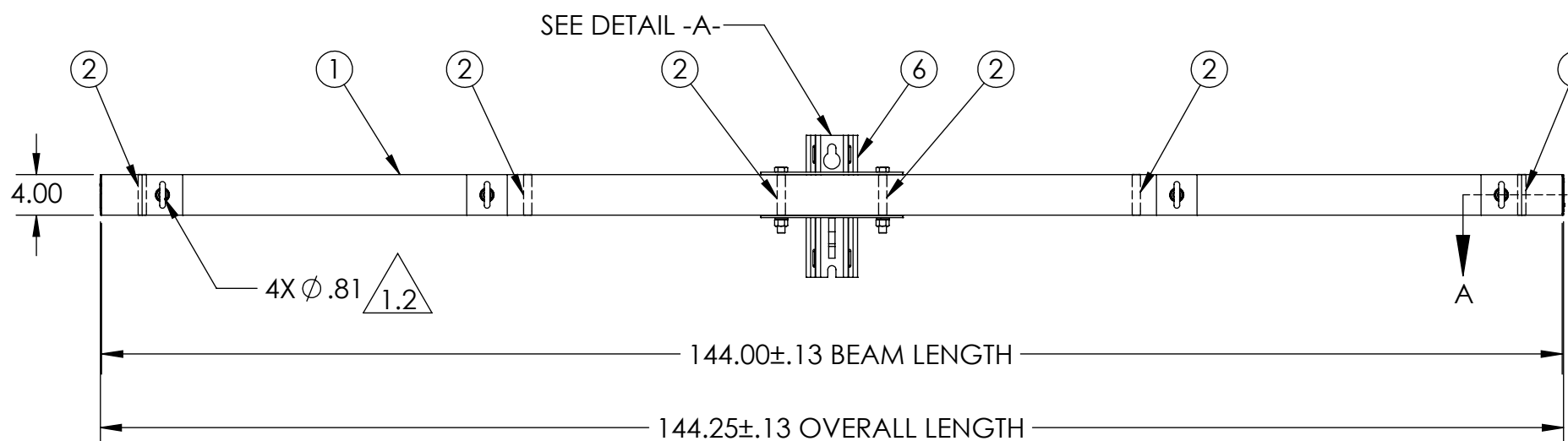
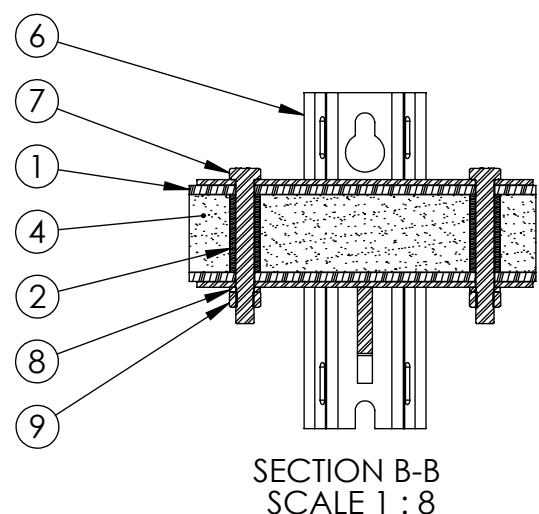
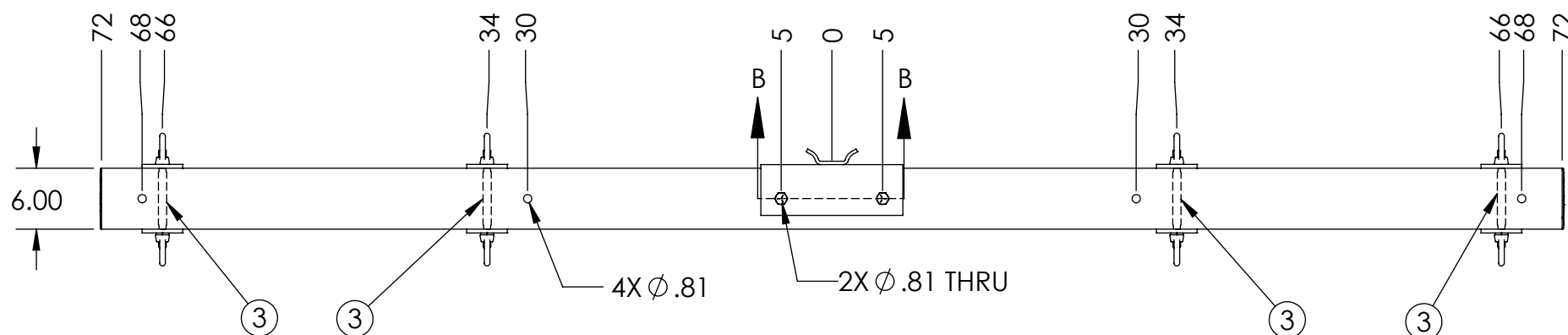
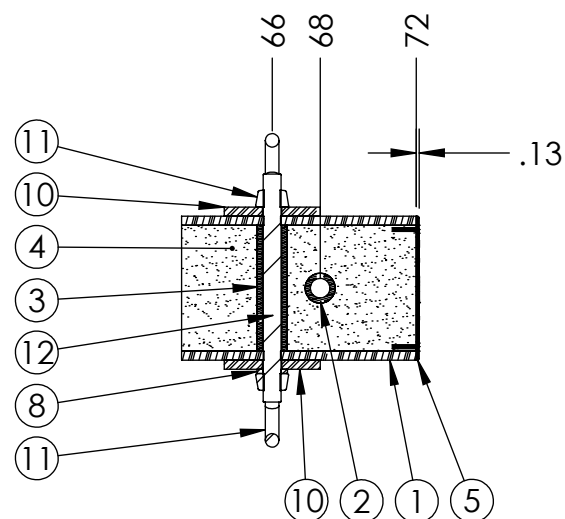
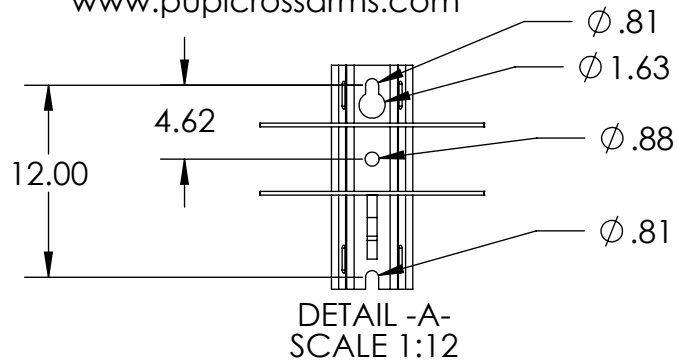


ITEM NO.	PART NUMBER	DESCRIPTION	DESCRIPTION 2	QTY
1	FB-144-4000-2	BEAM, PULTRUDED STOCK	SERIES 4000 x 144 in, GRAY	1
2	TG0813-0054	BUSHING	13/16 in x 3-1/4 in	6
3	TG0813-0053	BUSHING	13/16 in x 5-1/4 in	4
4	FOAM	-	-	1
5	EC40-0006-2	END CAP	SERIES 4000, GRAY	2
6	DM-0006	MOUNT ASSEMBLY, DEADEND	4KLH	1
7	HB0750-0003	HEX BOLT	3/4 in - 10 x 6 in	2
8	LW0750-0001	LOCK WASHER	3/4 in	6
9	HN0750-0001	HEX NUT	3/4 in - 10	2
10	SW0813-0005	SQUARE WASHER	13/16 in, 4 in x 3/8 in	8
11	EN0750-0002	EYE NUT	3/4 in - 10	8
12	TR0750-0003	THREADED ROD	3/4 in - 10 x 9-1/2 in	4

PUPI[®]
www.pupicrossarms.com

REVISIONS			
REV.	DESCRIPTION	DATE	INITIALS
1.0	ADD REPLACES PREVIOUS ITEM NOTE IN TITLE BLOCK	2011-11-30	EFH
1.1	REDRAWN IN SOLIDWORKS	2013-02-21	RAF
1.2	FIX FILE TO SHOW PROPER Ø TO .81, WAS .69	2013-03-08	RAF



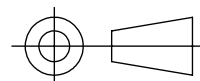
NOTES:
1. CENTER OF MOUNT HOLE(S) TO HOLES TOLERANCE ±0.06

-----UNLESS OTHERWISE SPECIFIED-----
DIMENSIONS ARE IN INCHES
INTERPRET DIM AND TOL PER ASME Y14.5-2009
ANGULAR: MACH ±2°
BEND ±2°
TWO PLACE DECIMAL ±0.02
THREE PLACE DECIMAL ±0.005

PROPRIETARY AND CONFIDENTIAL
THE INFORMATION CONTAINED IN THIS DRAWING IS THE SOLE PROPERTY OF GEOTEK. ANY REPRODUCTION IN PART OR AS A WHOLE WITHOUT THE WRITTEN PERMISSION OF GEOTEK IS PROHIBITED.

STATE: RELEASED 2013-03-08
DRAWN: RAF 2013-02-21
CHECKED: BRH 2013-03-08
APPROVED: BRH 2013-03-08
MATERIAL:
FINISH:
REPLACES: DA40000-144E4-SPX

THIRD ANGLE PROJECTION



GEOTEK
A Whole New World of Composites
1421 SECOND AVE NW
STEWARTVILLE, MN 55976
(800) 533-1680
www.geotekinc.com

DESCRIPTION:
DEADEND ASSEMBLY, SERIES 4000
144 in, PUPI SPX

SIZE: DWG. NO. **B DA4000144E4SPX2** REV: **1.2**
SCALE: 1:16 WEIGHT: 115.38 LBS SHEET 1 OF 1