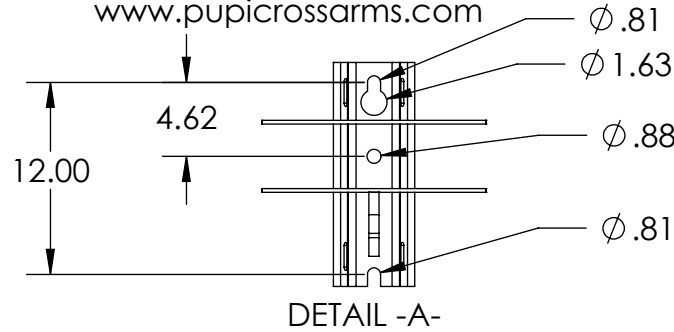


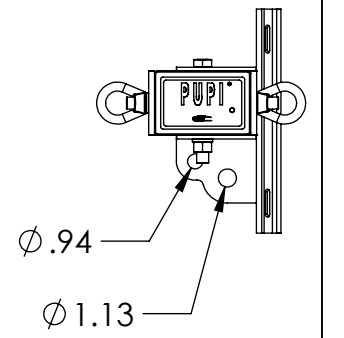
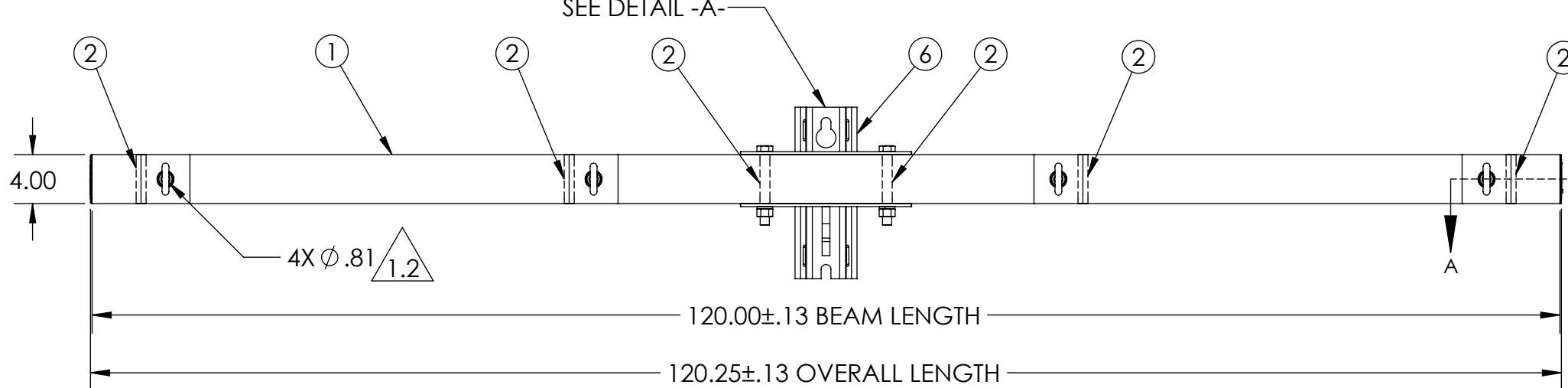
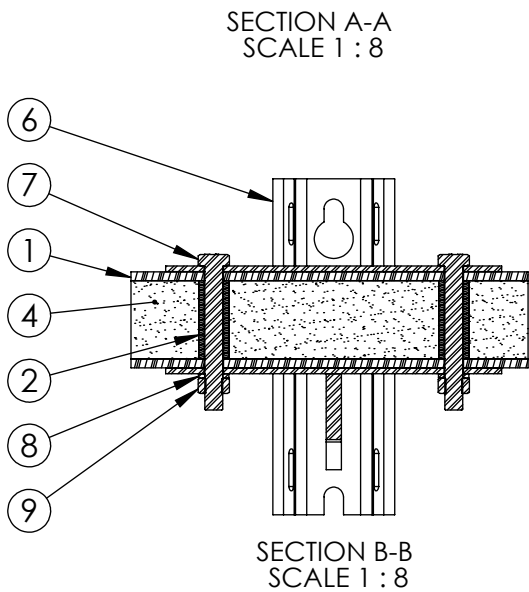
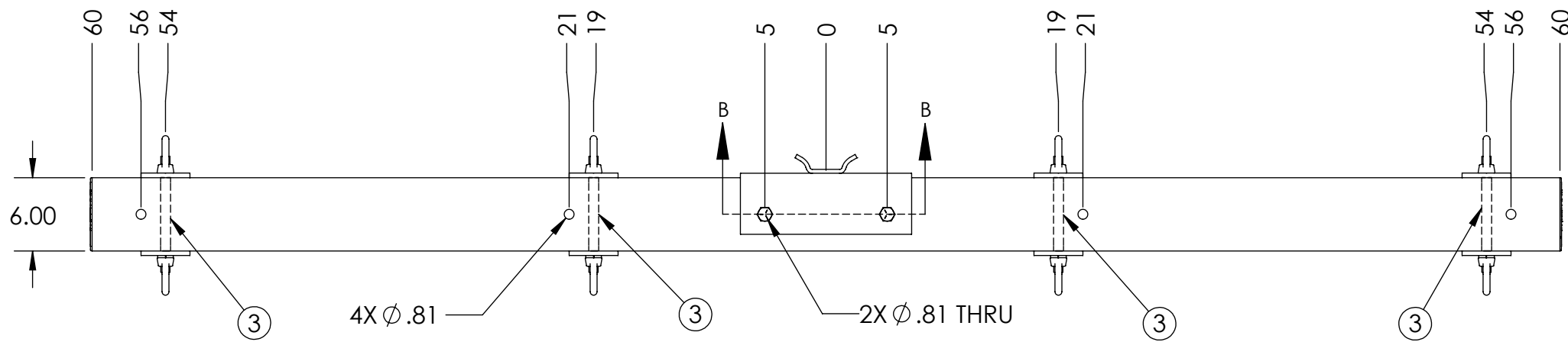
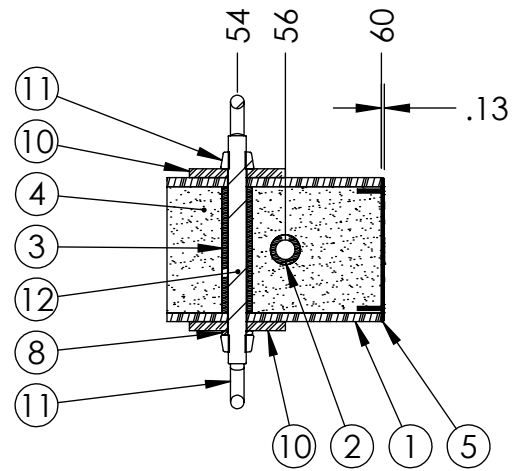
ITEM NO.	PART NUMBER	DESCRIPTION	DESCRIPTION 2	QTY
1	FB-120-4000-2	BEAM, PULTRUDED STOCK	SERIES 4000 x 120 in, GRAY	1
2	TG0813-0054	BUSHING	13/16 in x 3-1/4 in	6
3	TG0813-0053	BUSHING	13/16 in x 5-1/4 in	4
4	FOAM	-	-	1
5	EC40-0006-2	END CAP	SERIES 4000, GRAY	2
6	DM-0006	MOUNT ASSEMBLY, DEADEND	4KLH	1
7	HB0750-0003	HEX BOLT	3/4 in - 10 x 6 in	2
8	LW0750-0001	LOCK WASHER	3/4 in	6
9	HN0750-0001	HEX NUT	3/4 in - 10	2
10	SW0813-0005	SQUARE WASHER	13/16 in, 4 in x 3/8 in	8
11	EN0750-0002	EYE NUT	3/4 in - 10	8
12	TRO750-0003	THREADED ROD	3/4 in - 10 x 9-1/2 in	4

PUPI®

www.pupicrossarms.com



REVISIONS			
REV.	DESCRIPTION	DATE	INITIALS
1.0	ADD REPLACES PREVIOUS ITEM NOTE IN TITLE BLOCK	2011-11-30	EFH
1.1	REDRAWN IN SOLIDWORKS	2013-02-20	RAF
1.2	FIXED FILE TO SHOW PROPER HOLE Ø TO .81, WAS .69	2013-03-08	RAF
1.3	CLEAN CORRUPT FILE	2014-05-29	RAF



NOTES:
1. CENTER OF MOUNT HOLE(S) TO HOLES TOLERANCE ±0.06

<p>-----UNLESS OTHERWISE SPECIFIED----- DIMENSIONS ARE IN INCHES INTERPRET DIM AND TOL PER ASME Y14.5-2009 ANGULAR: MACH ±2° BEND ±2° TWO PLACE DECIMAL ±0.02 THREE PLACE DECIMAL ±0.005</p> <p>PROPRIETARY AND CONFIDENTIAL THE INFORMATION CONTAINED IN THIS DRAWING IS THE SOLE PROPERTY OF GEOTEK. ANY REPRODUCTION IN PART OR AS A WHOLE WITHOUT THE WRITTEN PERMISSION OF GEOTEK IS PROHIBITED.</p>	STATE: RELEASED 2014-05-29 DRAWN: RAF 2013-02-20 CHECKED: BRH 2014-05-29 APPROVED: ENG 2014-05-29 MATERIAL: FINISH: REPLACES: DA4000-120E-B9X	<p>1421 SECOND AVE NW STEWARTVILLE, MN 55976 (800) 533-1680 www.geotekinc.com</p>
	DESCRIPTION: DEADEND ASSEMBLY, SERIES 4000 120 in, PUPI B9X	
THIRD ANGLE PROJECTION 		REV: 1.3 SCALE: 1:12 WEIGHT: 103.78 LBS SHEET 1 OF 1