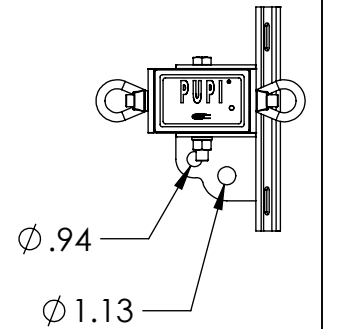
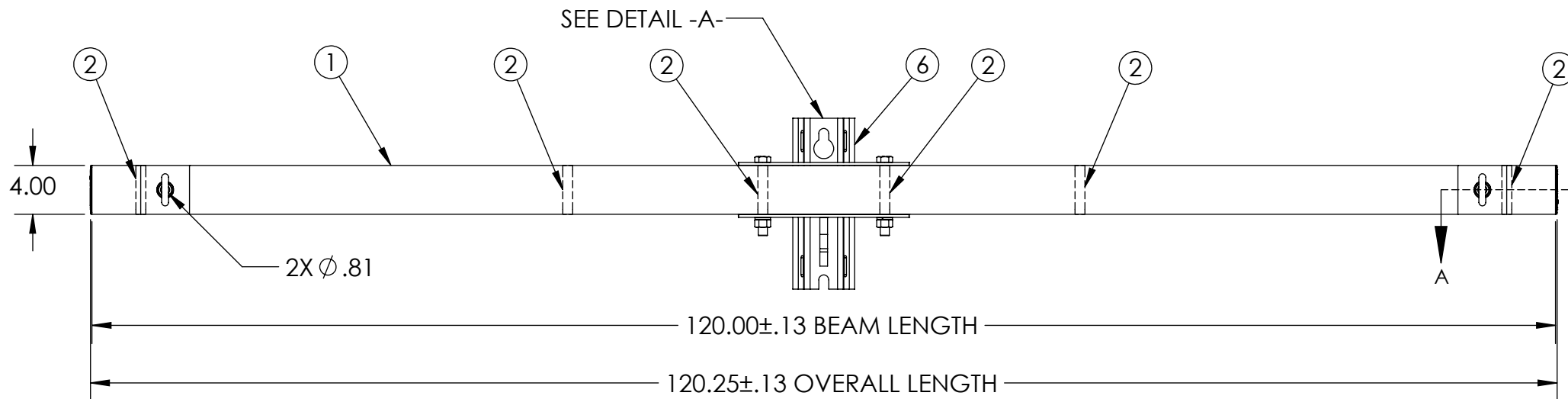
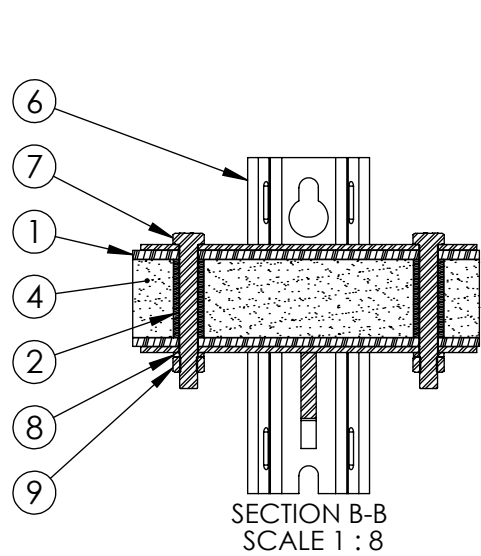
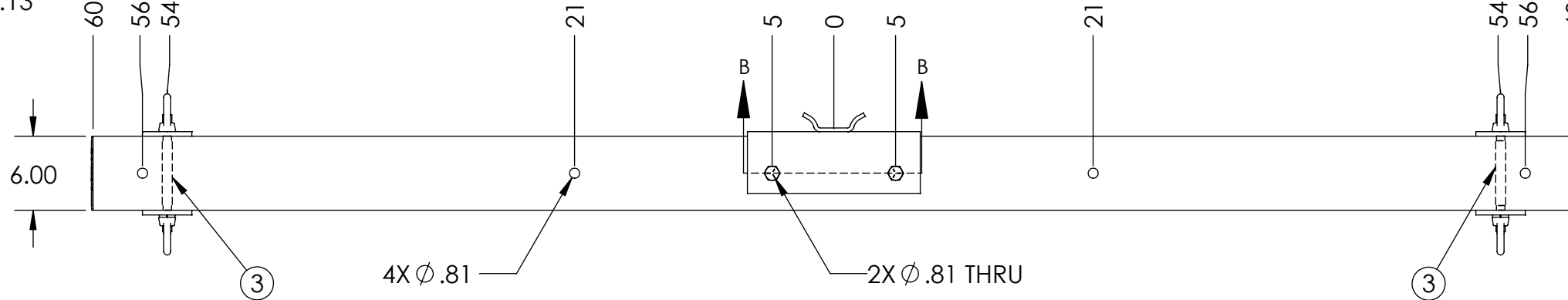
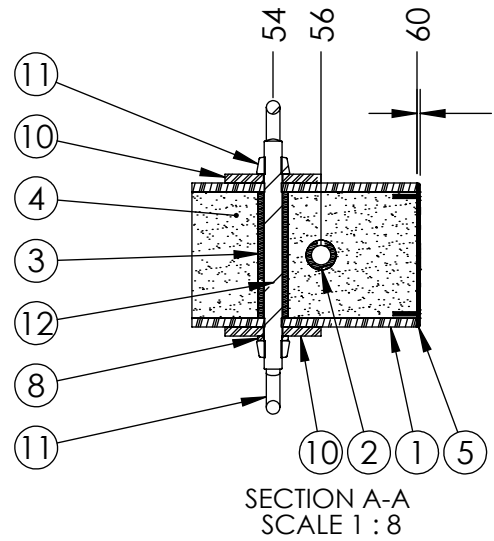
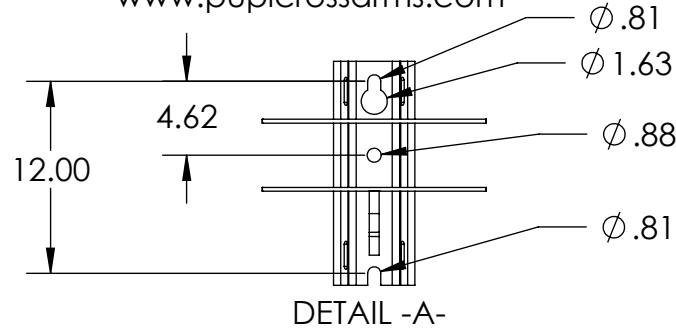


ITEM NO.	PART NUMBER	DESCRIPTION	DESCRIPTION 2	QTY
1	FB-120-4000-2	BEAM, PULTRUDED STOCK	SERIES 4000 x 120 in, GRAY	1
2	TG0813-0054	BUSHING	13/16 in x 3-1/4 in	6
3	TG0813-0053	BUSHING	13/16 in x 5-1/4 in	2
4	FOAM	-	-	1
5	EC40-0006-2	END CAP	SERIES 4000, GRAY	2
6	DM-0006	MOUNT ASSEMBLY, DEADEND	4KLH	1
7	HB0750-0003	HEX BOLT	3/4 in - 10 x 6 in	2
8	LW0750-0001	LOCK WASHER	3/4 in	4
9	HN0750-0001	HEX NUT	3/4 in - 10	2
10	SW0813-0005	SQUARE WASHER	13/16 in, 4 in x 3/8 in	4
11	EN0750-0002	EYE NUT	3/4 in - 10	4
12	TR0750-0003	THREADED ROD	3/4 in - 10 x 9-1/2 in	2

PUPI[®]
www.pupicrossarms.com

REVISIONS			
REV.	DESCRIPTION	DATE	INITIALS
1.0	ADD REPLACES PREVIOUS ITEM NOTE IN TITLE BLOCK	2011-11-30	EFH
1.1	REDRAWN IN SOLIDWORKS	2013-02-19	RAF



NOTES:
1. CENTER OF MOUNT HOLE(S) TO HOLES TOLERANCE \pm 0.06

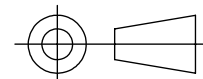
-----UNLESS OTHERWISE SPECIFIED-----
DIMENSIONS ARE IN INCHES
INTERPRET DIM AND TOL PER ASME Y14.5-2009
ANGULAR: MACH \pm 2°
BEND \pm 2°
TWO PLACE DECIMAL \pm 0.02
THREE PLACE DECIMAL \pm 0.005

PROPRIETARY AND CONFIDENTIAL
THE INFORMATION CONTAINED IN THIS DRAWING IS
THE SOLE PROPERTY OF GEOTEK. ANY REPRODUCTION
IN PART OR AS A WHOLE WITHOUT THE WRITTEN
PERMISSION OF GEOTEK IS PROHIBITED.

STATE: RELEASED 2013-03-08
DRAWN: RAF 2013-02-20
CHECKED: BRH 2013-03-08
APPROVED: BRH 2013-03-08

MATERIAL:
FINISH:
REPLACES:
DA4000-120E2-B9X

THIRD ANGLE PROJECTION



GEOTEK
A Whole New World of Composites
1421 SECOND AVE NW
STEWARTVILLE, MN 55976
(800) 533-1680
www.geotekinc.com

DESCRIPTION:
DEADEND ASSEMBLY, SERIES 4000
120 in, PUPI B9X

SIZE: DWG. NO. **B DA4000120E2B9X2** REV: **1.1**
SCALE: 1:12 WEIGHT: 91.93 LBS SHEET 1 OF 1