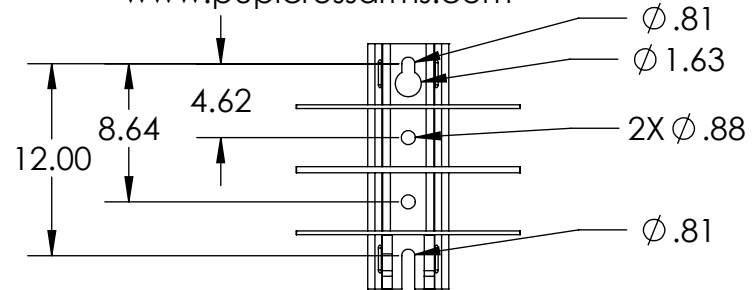


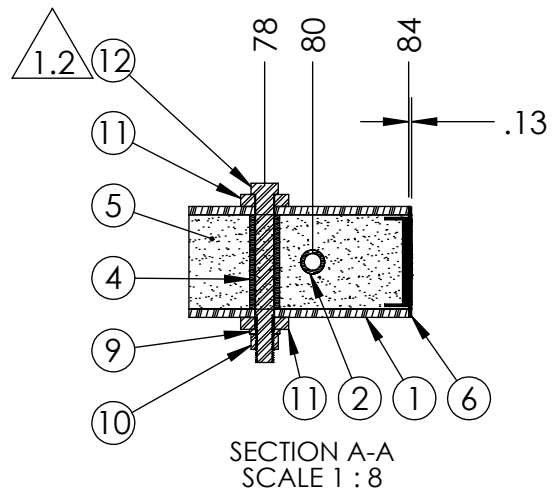
ITEM NO.	PART NUMBER	DESCRIPTION	DESCRIPTION 2	QTY
1	FB-168-3000-2	BEAM, PULTRUDED STOCK	SERIES 3000 x 168 in, GRAY	2
2	TG0688-0040	BUSHING	11/16 in x 3 in	8
3	TG0813-0042	BUSHING	13/16 in x 3 in	4
4	TG0813-0041	BUSHING	13/16 in x 3-15/16 in	8
5	FOAM			2
6	EC30-0002-2	END CAP	SERIES 3000, GRAY	4
7	DM-0015	MOUNT ASSEMBLY, DEADEND	DE2	1
8	HB0750-0007	HEX BOLT	3/4 in - 10 x 10 in	2
9	LW0750-0001	LOCK WASHER	3/4 in	10
10	HN0750-0001	HEX NUT	3/4 in - 10	10
11	BK-0002	BRACKET ASSEMBLY, DE2		8
12	HB0750-0012	HEX BOLT	3/4 in - 10 x 7 in	8

PUPI[®]
www.pupicrossarms.com

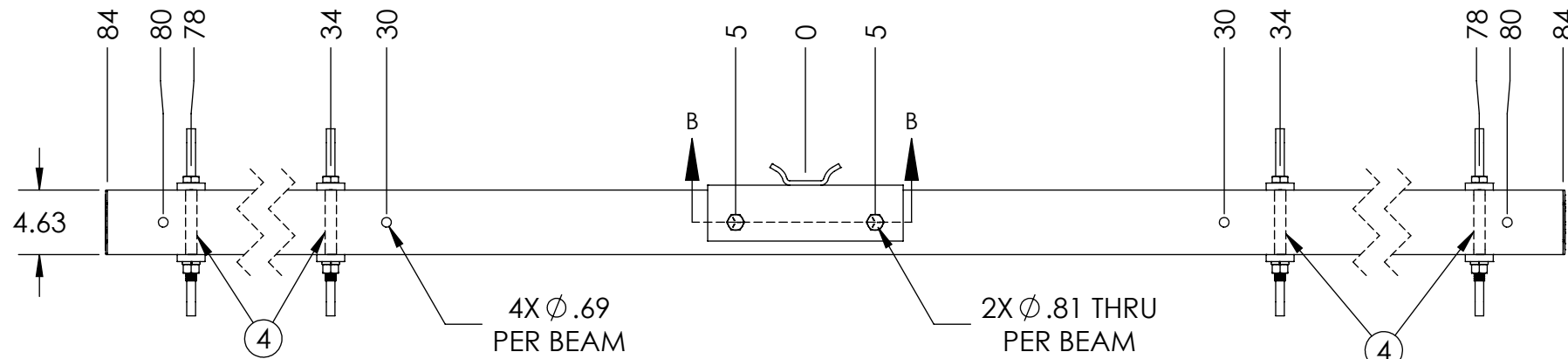
REVISIONS			
REV.	DESCRIPTION	DATE	INITIALS
1.0	ADDED REPLACES PREVIOUS ITEM NOTE IN TITLE BLOCK	2011-11-30	EFH
1.1	REDRAWN IN SOLIDWORKS	2013-02-20	RAF
1.2	REPLACE HB0750-0004 WITH HB0750-0012, CHANGE DRAWING FORMAT	2015-03-11	RAF



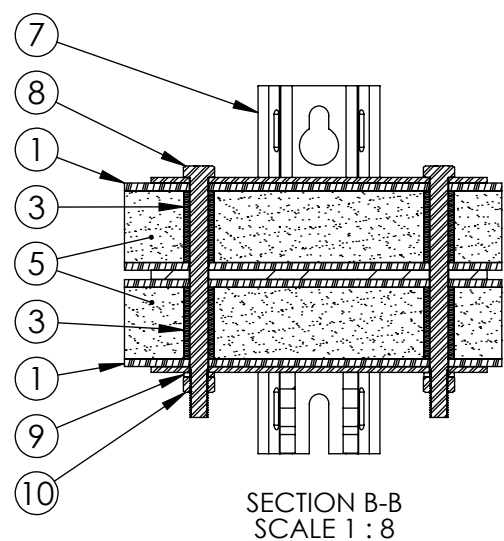
DETAIL -A-



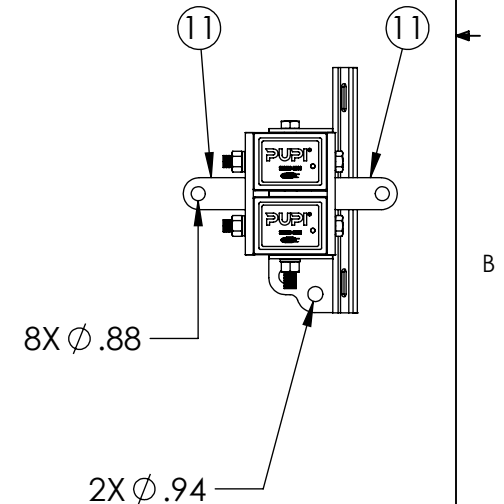
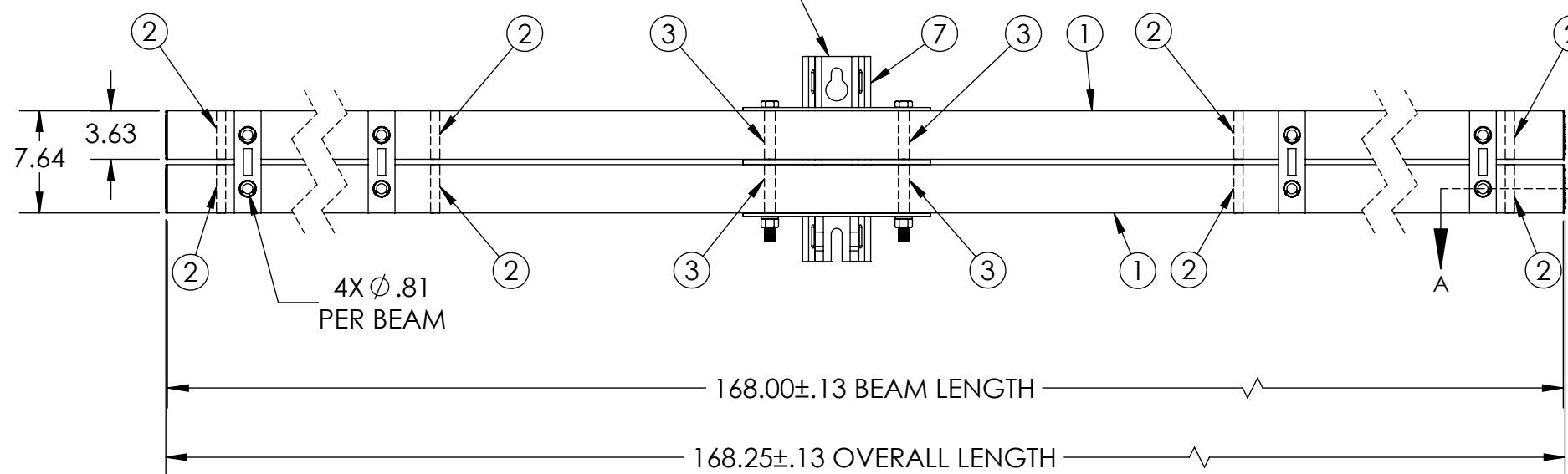
SECTION A-A
SCALE 1 : 8



SEE DETAIL -A-



SECTION B-B
SCALE 1 : 8



NOTES:
1. CENTER OF MOUNT HOLE(S) TO HOLES TOLERANCE ±0.06

<p>-----UNLESS OTHERWISE SPECIFIED----- DIMENSIONS ARE IN INCHES INTERPRET DIM AND TOL PER ASME Y14.5-2009 ANGULAR: MACH ±2° BEND ±2° TWO PLACE DECIMAL ±0.02 THREE PLACE DECIMAL ±0.005</p>	STATE: RELEASED	2015-03-17
	DRAWN: RAF	2013-02-20
	CHECKED: ENG	2015-03-17
	APPROVED: ENG	2015-03-17
<p>PROPRIETARY AND CONFIDENTIAL THE INFORMATION CONTAINED IN THIS DRAWING IS THE SOLE PROPERTY OF GEOTEK. ANY REPRODUCTION IN PART OR AS A WHOLE WITHOUT THE WRITTEN PERMISSION OF GEOTEK IS PROHIBITED.</p>	MATERIAL:	
	FINISH:	
<p>REPLACES: DA3200-168E4-SPX</p>		
<p>THIRD ANGLE PROJECTION</p>		

<p>1421 SECOND AVE NW STEWARTVILLE, MN 55976 (800) 533-1680 www.geotekinc.com</p>	<p>DESCRIPTION: DEADEND ASSEMBLY, SERIES 3000 168 in, PUPI SPX</p>	
	<p>SIZE: DWG. NO. B DA3020168E4SPX2</p>	<p>REV: 1.2</p>
<p>SCALE: 1:12 WEIGHT: 184.66 LBS</p>		<p>SHEET 1 OF 1</p>