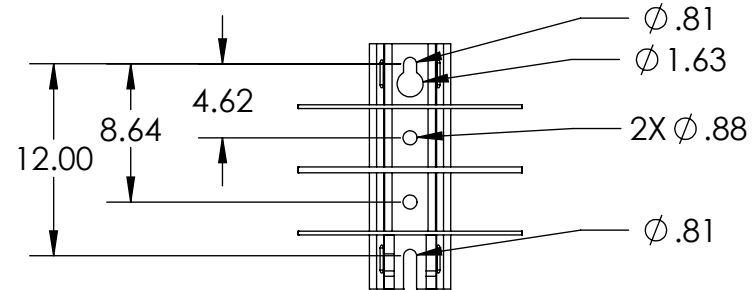


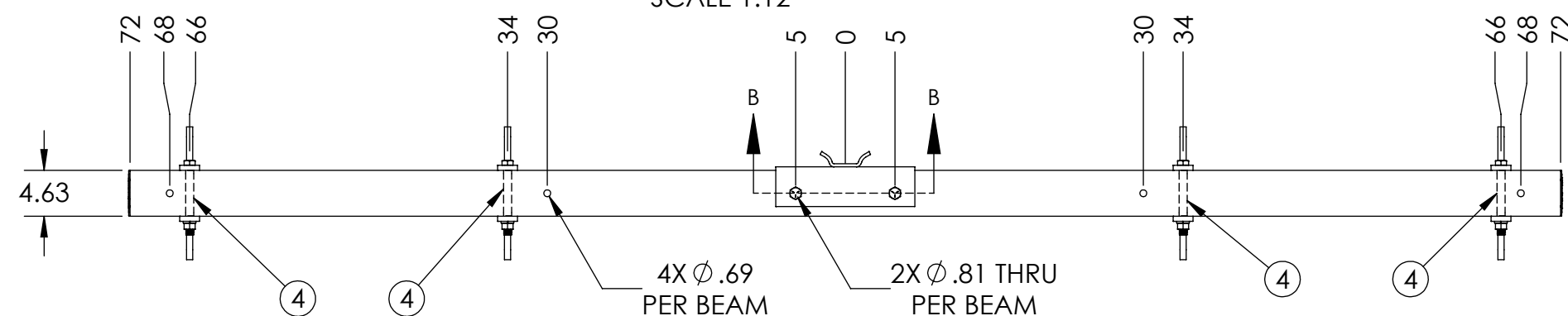
ITEM NO.	PART NUMBER	DESCRIPTION	DESCRIPTION 2	QTY
1	FB-144-3000-2	BEAM, PULTRUDED STOCK	SERIES 3000 x 144 in, GRAY	2
2	TG0688-0040	BUSHING	11/16 in x 3 in	8
3	TG0813-0042	BUSHING	13/16 in x 3 in	4
4	TG0813-0041	BUSHING	13/16 in x 3-15/16 in	8
5	FOAM			2
6	EC30-0002-2	END CAP	SERIES 3000, GRAY	4
7	DM-0015	MOUNT ASSEMBLY, DEADEND	DE2	1
8	HB0750-0007	HEX BOLT	3/4 in - 10 x 10 in	2
9	LW0750-0001	LOCK WASHER	3/4 in	10
10	HN0750-0001	HEX NUT	3/4 in - 10	10
11	BK-0002	BRACKET ASSEMBLY, DE2		8
12	HB0750-0012	HEX BOLT	3/4 in - 10 x 7 in	8

**PUPI**<sup>®</sup>  
www.pupicrossarms.com

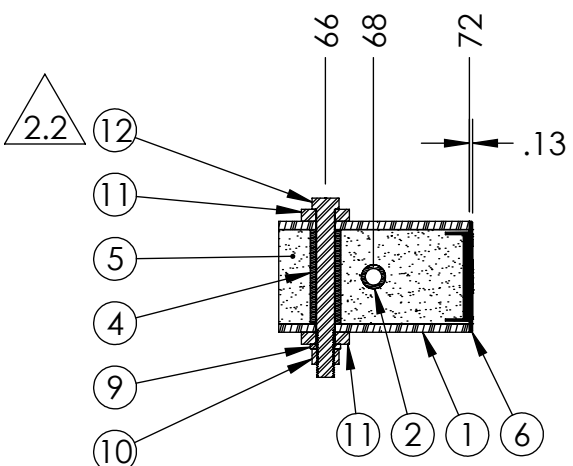
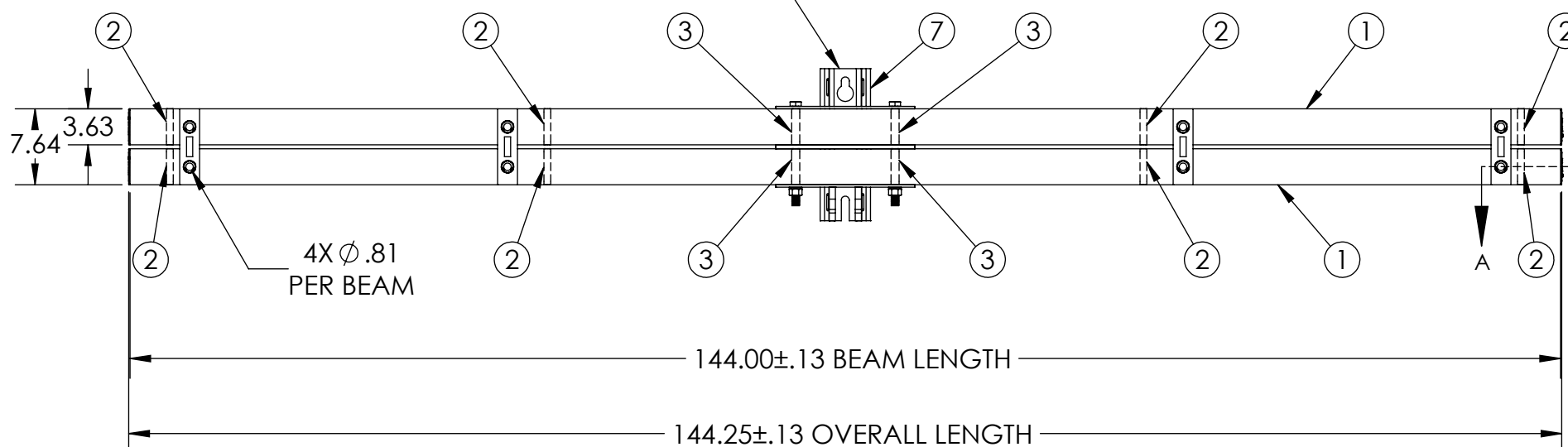
REVISIONS			
REV.	DESCRIPTION	DATE	INITIALS
1.0	ADDED REPLACES NOTE	2011-10-31	CAS
2.0	ADDED REPLACES PREVIOUS ITEM NOTE IN TITLE BLOCK	2011-11-30	EFH
2.1	REDRAWN IN SOLIDWORKS	2013-02-20	RAF
2.2	REPLACE HB0750-0004 WITH HB0750-0012	2015-03-11	RAF



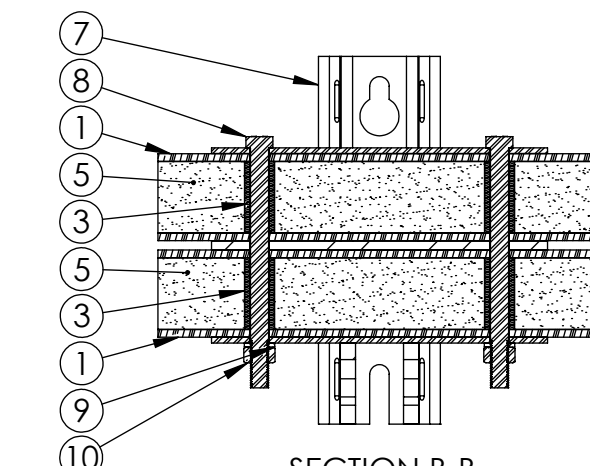
DETAIL -A-  
SCALE 1:12



SEE DETAIL -A-




SECTION A-A  
SCALE 1:8



SECTION B-B  
SCALE 1:8

NOTES:  
1. CENTER OF MOUNT HOLE(S) TO HOLES TOLERANCE ±0.06

<p>-----UNLESS OTHERWISE SPECIFIED----- DIMENSIONS ARE IN INCHES INTERPRET DIM AND TOL PER ASME Y14.5-2009 ANGULAR: MACH ±2° BEND ±2° TWO PLACE DECIMAL ±0.02 THREE PLACE DECIMAL ±0.005</p> <p><b>PROPRIETARY AND CONFIDENTIAL</b> THE INFORMATION CONTAINED IN THIS DRAWING IS THE SOLE PROPERTY OF GEOTEK. ANY REPRODUCTION IN PART OR AS A WHOLE WITHOUT THE WRITTEN PERMISSION OF GEOTEK IS PROHIBITED.</p>	STATE: RELEASED 2015-03-17	 <p>1421 SECOND AVE NW STEWARTVILLE, MN 55976 (800) 533-1680 www.geotekinc.com</p>
	DRAWN: RAF 2013-02-20	
	CHECKED: ENG 2015-03-17	
	APPROVED: ENG 2015-03-17	
MATERIAL:	FINISH:	DESCRIPTION: DEADEND ASSEMBLY, SERIES 3000 144 in, PUPI SPX
REPLACES: DA3200-144E4-SPX	THIRD ANGLE PROJECTION	SIZE: DWG. NO. <b>B</b> DA3020144E4SPX2
		SCALE: 1:16 WEIGHT: 167.57 LBS
		REV: <b>2.2</b> SHEET 1 OF 1