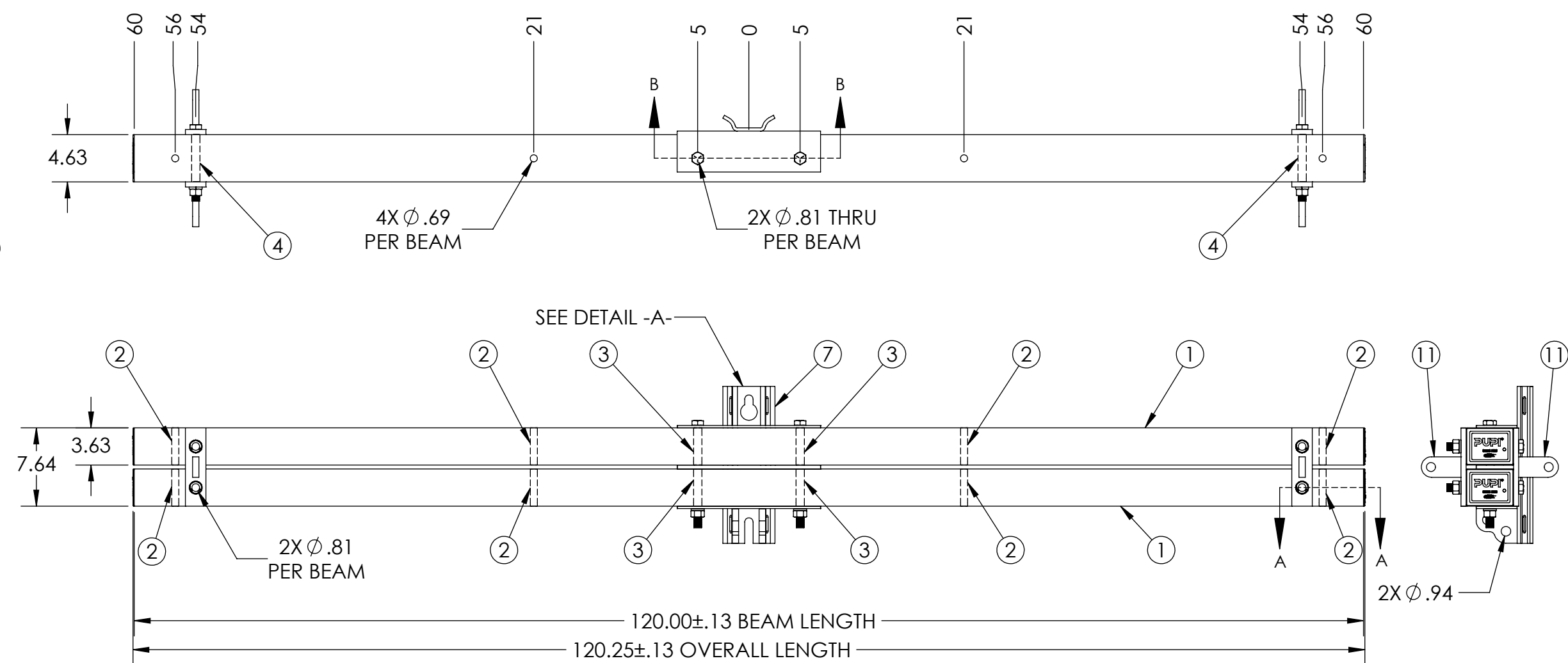
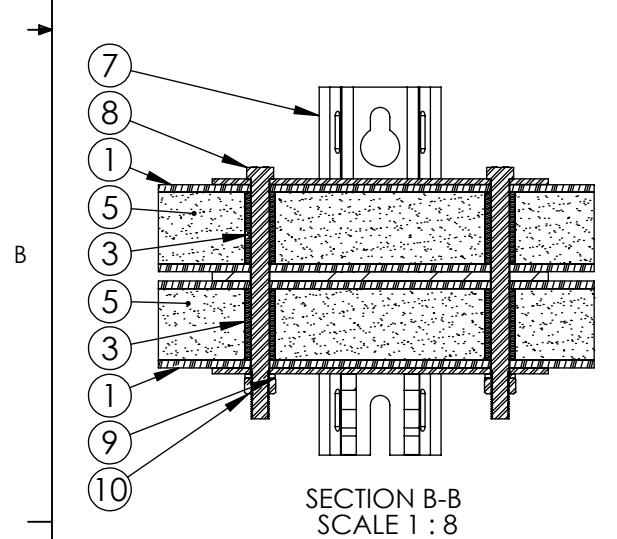
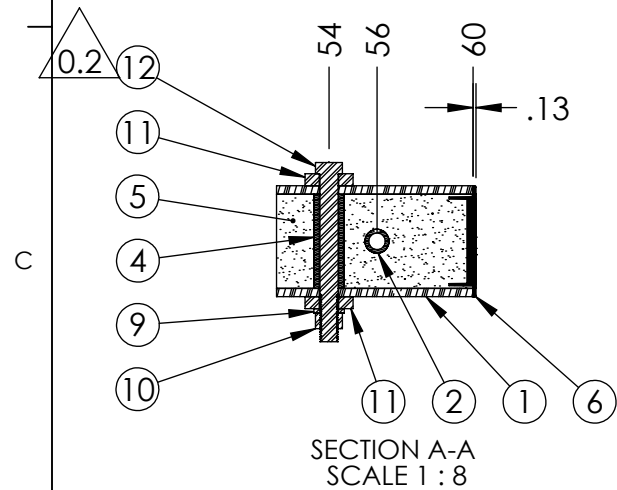
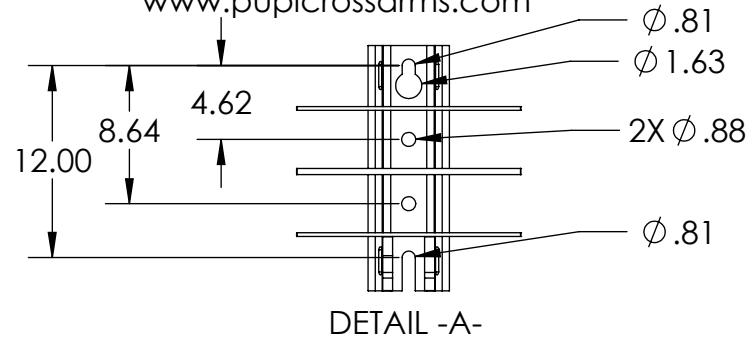


ITEM NO.	PART NUMBER	DESCRIPTION	DESCRIPTION 2	QTY
1	FB-120-3000-2	BEAM, PULTRUDED STOCK	SERIES 3000 x 120 in, GRAY	2
2	TG0688-0040	BUSHING	11/16 in x 3 in	8
3	TG0813-0042	BUSHING	13/16 in x 3 in	4
4	TG0813-0041	BUSHING	13/16 in x 3-15/16 in	4
5	FOAM			2
6	EC30-0002-2	END CAP	SERIES 3000, GRAY	4
7	DM-0015	MOUNT ASSEMBLY, DEADEND	DE2	1
8	HB0750-0007	HEX BOLT	3/4 in - 10 x 10 in	2
9	LW0750-0001	LOCK WASHER	3/4 in	6
10	HN0750-0001	HEX NUT	3/4 in - 10	6
11	BK-0002	BRACKET ASSEMBLY, DE2		4
12	HB0750-0012	HEX BOLT	3/4 in - 10 x 7 in	4

**PUPI**<sup>®</sup>

www.pupicrossarms.com

REVISIONS			
REV.	DESCRIPTION	DATE	INITIALS
0.1	REDRAWN IN SOLIDWORKS	2013-02-20	RAF
0.2	REPLACE HB0750-0004 WITH HB0750-0012	2015-03-10	RAF



NOTES:  
1. CENTER OF MOUNT HOLE(S) TO HOLES TOLERANCE  $\pm 0.06$

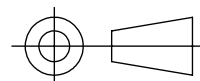
-----UNLESS OTHERWISE SPECIFIED-----  
DIMENSIONS ARE IN INCHES  
INTERPRET DIM AND TOL PER ASME Y14.5-2009  
ANGULAR: MACH  $\pm 2^\circ$   
BEND  $\pm 2^\circ$   
TWO PLACE DECIMAL  $\pm 0.02$   
THREE PLACE DECIMAL  $\pm 0.005$

**PROPRIETARY AND CONFIDENTIAL**  
THE INFORMATION CONTAINED IN THIS DRAWING IS THE SOLE PROPERTY OF GEOTEK. ANY REPRODUCTION IN PART OR AS A WHOLE WITHOUT THE WRITTEN PERMISSION OF GEOTEK IS PROHIBITED.

STATE: RELEASED 2015-03-17  
DRAWN: RAF 2013-02-20  
CHECKED: ENG 2015-03-17  
APPROVED: ENG 2015-03-17

MATERIAL:  
FINISH:  
REPLACES:

THIRD ANGLE PROJECTION



**GEOTEK**  
A Whole New World of Composites  
1421 SECOND AVE NW  
STEWARTVILLE, MN 55976  
(800) 533-1680  
www.geotekinc.com

DESCRIPTION:  
**DEADEND ASSEMBLY, SERIES 3000**  
**120 in, PUPI B9X**

SIZE: DWG. NO. **B DA3020120E2B9X2** REV: **0.2**  
SCALE: 1:12 WEIGHT: 132.39 LBS SHEET 1 OF 1