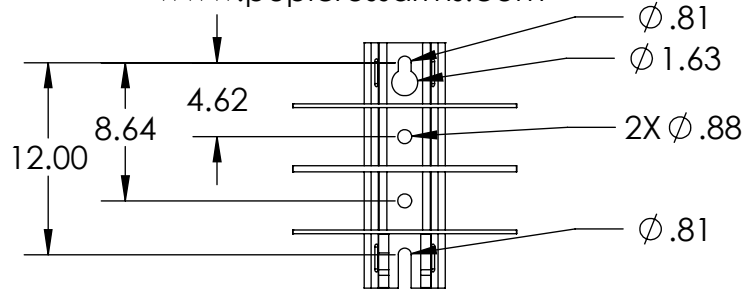


ITEM NO.	PART NUMBER	DESCRIPTION	DESCRIPTION 2	QTY
1	FB-096-3000-2	BEAM, PULTRUDED STOCK	SERIES 3000 x 96 in, GRAY	2
2	TG0688-0040	BUSHING	11/16 in x 3 in	8
3	TG0813-0042	BUSHING	13/16 in x 3 in	4
4	TG0813-0041	BUSHING	13/16 in x 3-15/16 in	4
5	FOAM			2
6	EC30-0002-2	END CAP	SERIES 3000, GRAY	4
7	DM-0015	MOUNT ASSEMBLY, DEADEND	DE2	1
8	HB0750-0007	HEX BOLT	3/4 in - 10 x 10 in	2
9	LW0750-0001	LOCK WASHER	3/4 in	6
10	HN0750-0001	HEX NUT	3/4 in - 10	6
11	BK-0002	BRACKET ASSEMBLY, DE2		4
12	HB0750-0012	HEX BOLT	3/4 in - 10 x 7 in	4

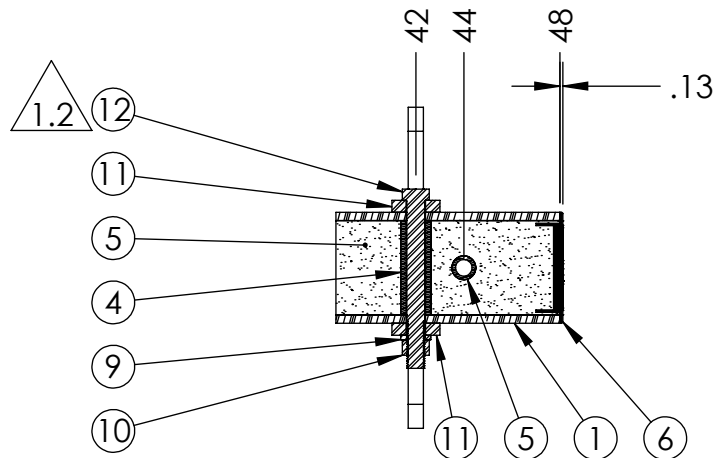
PUPI[®]

www.pupicrossarms.com

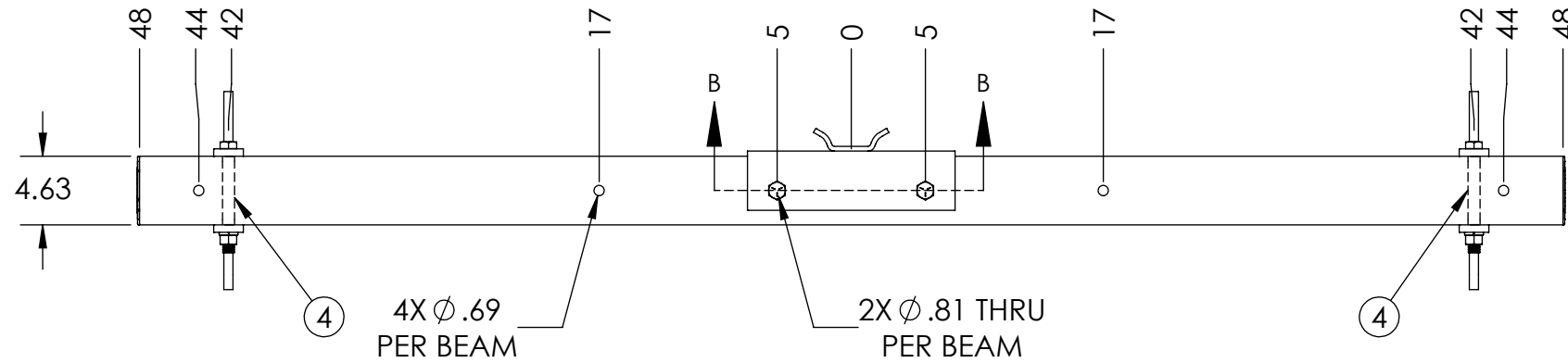
REVISIONS			
REV.	DESCRIPTION	DATE	INITIALS
1.0	ADDED REPLACES PREVIOUS ITEM NOTE IN TITLE BLOCK	2011-11-29	EFH
1.1	REDRAWN IN SOLIDWORKS	2013-02-19	RAF
1.2	REPLACE HB0750-0004 WITH HB0750-0012	2015-03-10	RAF



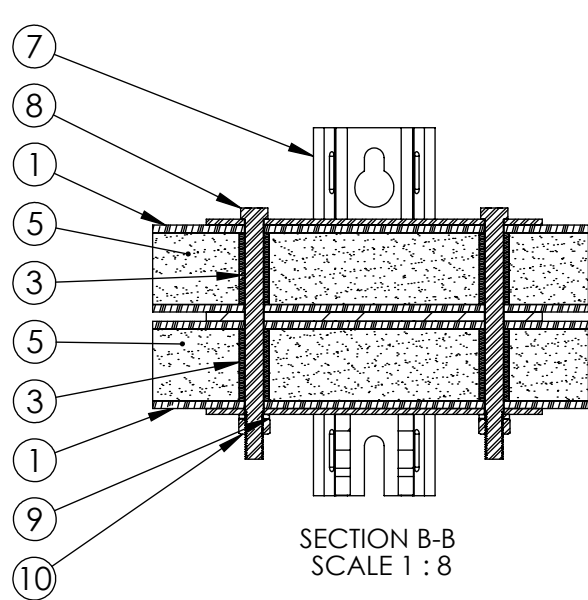
DETAIL -A-



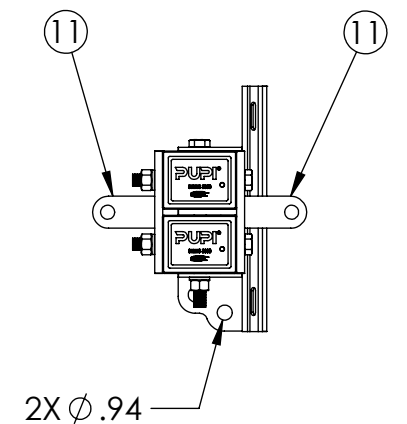
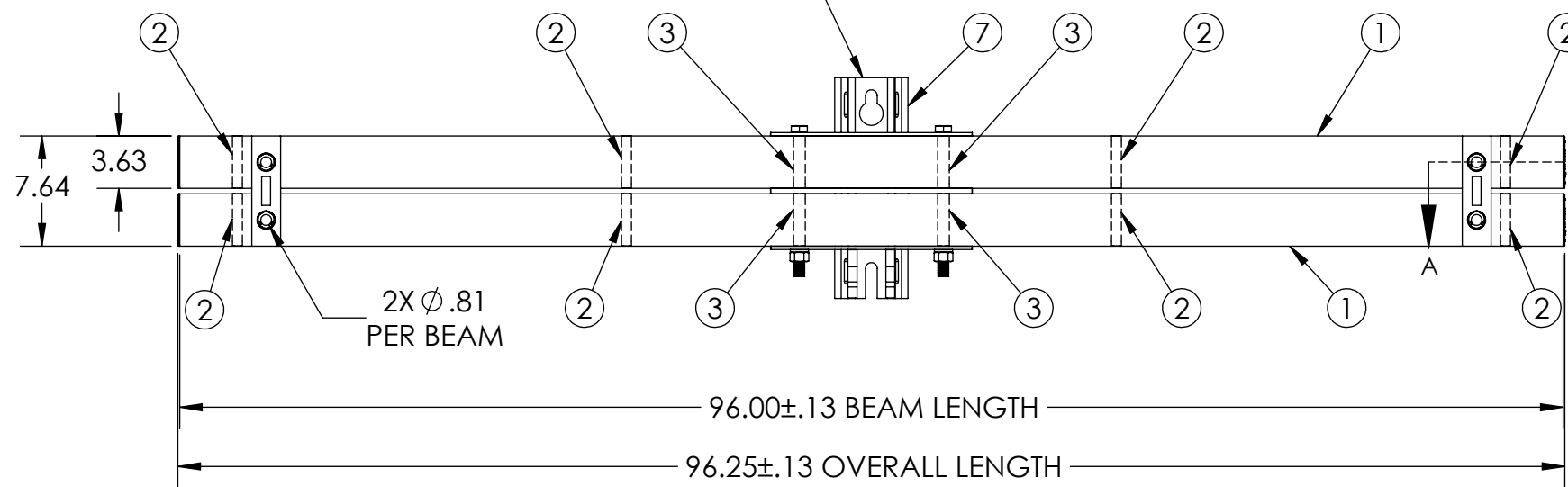
SECTION A-A
SCALE 1 : 8



SEE DETAIL -A-



SECTION B-B
SCALE 1 : 8



NOTES:
1. CENTER OF MOUNT HOLE(S) TO HOLES TOLERANCE ±0.06

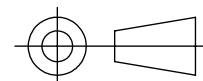
-----UNLESS OTHERWISE SPECIFIED-----
DIMENSIONS ARE IN INCHES
INTERPRET DIM AND TOL PER ASME Y14.5-2009
ANGULAR: MACH ±2°
BEND ±2°
TWO PLACE DECIMAL ±0.02
THREE PLACE DECIMAL ±0.005

PROPRIETARY AND CONFIDENTIAL
THE INFORMATION CONTAINED IN THIS DRAWING IS
THE SOLE PROPERTY OF GEOTEK. ANY REPRODUCTION
IN PART OR AS A WHOLE WITHOUT THE WRITTEN
PERMISSION OF GEOTEK IS PROHIBITED.

STATE: RELEASED 2015-03-17
DRAWN: RAF 2013-02-19
CHECKED: ENG 2015-03-17
APPROVED: ENG 2015-03-17

MATERIAL:
FINISH:
REPLACES:
DA3200-96E2-B7X

THIRD ANGLE PROJECTION



1421 SECOND AVE NW
STEWARTVILLE, MN 55976
(800) 533-1680
www.geotekinc.com

DESCRIPTION:
DEADEND ASSEMBLY, SERIES 3000
96 in, PUPI B7X

SIZE: DWG. NO.
B DA3020096E2B7X2

SCALE: 1:12 WEIGHT: 115.31 LBS SHEET 1 OF 1

REV:
1.2