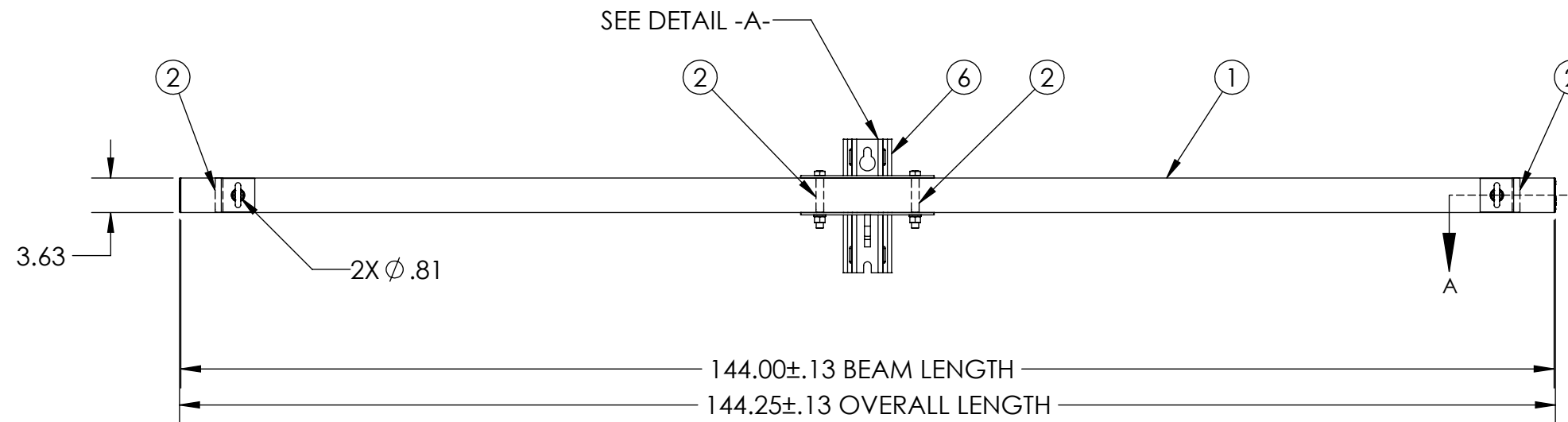
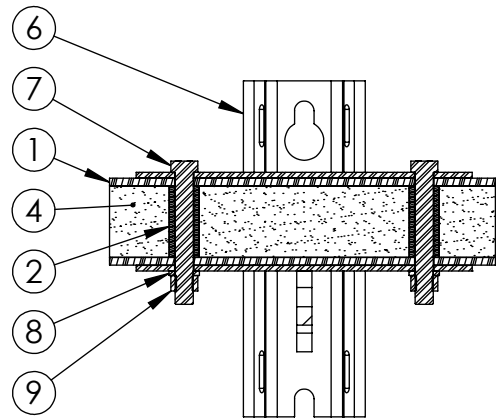
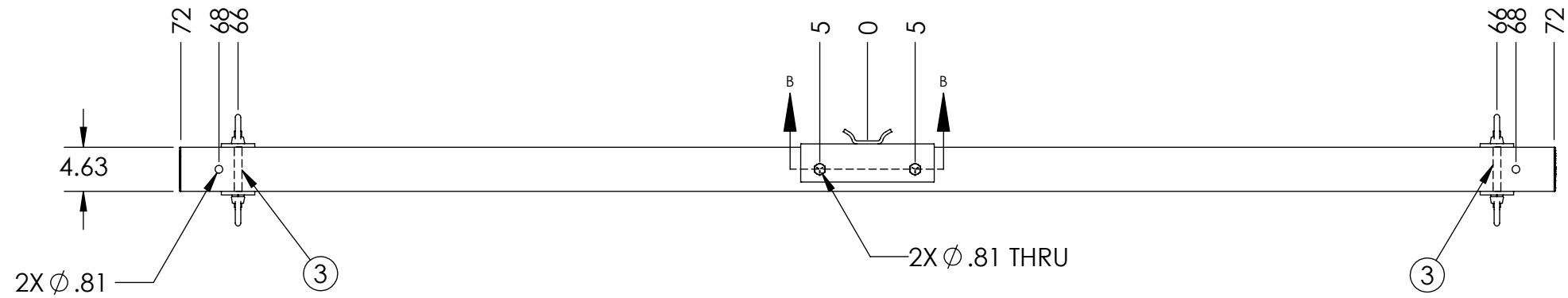
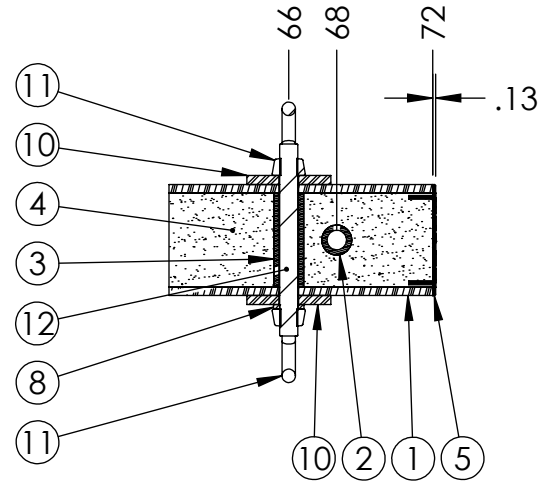
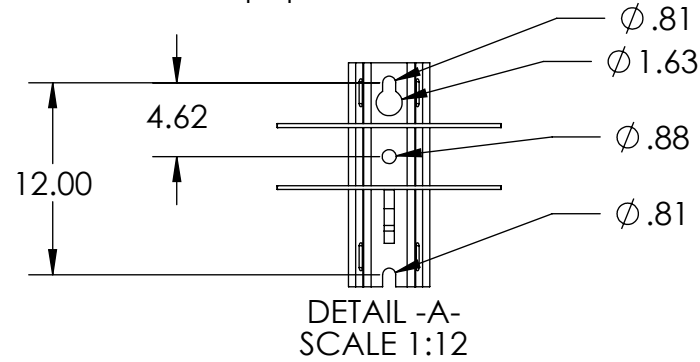


| ITEM NO. | PART NUMBER | DESCRIPTION | DESCRIPTION 2 | QTY |
|----------|---------------|-------------------------|-----------------------------|-----|
| 1 | FB-144-3000-2 | BEAM, PULTRUDED STOCK | SERIES 3000 x 144 in, GRAY | 1 |
| 2 | TG0813-0042 | BUSHING | 13/16 in x 3 in | 4 |
| 3 | TG0813-0041 | BUSHING | 13/16 in x 3-15/16 in | 2 |
| 4 | FOAM | - | - | 1 |
| 5 | EC30-0002-2 | END CAP | SERIES 3000, GRAY | 2 |
| 6 | DM-0033 | MOUNT ASSEMBLY, DEADEND | HDLH | 1 |
| 7 | HB0750-0001 | HEX BOLT | 3/4 in - 10 x 5-1/2 in | 2 |
| 8 | LW0750-0001 | LOCK WASHER | 3/4 in | 4 |
| 9 | HN0750-0001 | HEX NUT | 3/4 in - 10 | 2 |
| 10 | SW0813-0003 | SQUARE WASHER | 13/16 in, 3-1/2 in x 3/8 in | 4 |
| 11 | EN0750-0002 | EYE NUT | 3/4 in - 10 | 4 |
| 12 | TR0750-0002 | THREADED ROD | 3/4 in - 10 x 8 in | 2 |

PUPI[®]
www.pupicrossarms.com

| REVISIONS | | | |
|-----------|--|------------|----------|
| REV. | DESCRIPTION | DATE | INITIALS |
| 1.0 | ADDED REPLACES PREVIOUS ITEM NOTE IN TITLE BLOCK | 2011-11-29 | EFH |
| 1.1 | REDRAWN IN SOLIDWORKS | 2013-02-19 | RAF |



NOTES:
1. CENTER OF MOUNT HOLE(S) TO HOLES TOLERANCE ± 0.06

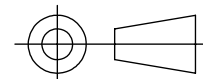
-----UNLESS OTHERWISE SPECIFIED-----
DIMENSIONS ARE IN INCHES
INTERPRET DIM AND TOL PER ASME Y14.5-2009
ANGULAR: MACH $\pm 2^\circ$
BEND $\pm 2^\circ$
TWO PLACE DECIMAL ± 0.02
THREE PLACE DECIMAL ± 0.005

PROPRIETARY AND CONFIDENTIAL
THE INFORMATION CONTAINED IN THIS DRAWING IS
THE SOLE PROPERTY OF GEOTEK. ANY REPRODUCTION
IN PART OR AS A WHOLE WITHOUT THE WRITTEN
PERMISSION OF GEOTEK IS PROHIBITED.

STATE: RELEASED 2013-03-13
DRAWN: RAF 2013-02-19
CHECKED: BRH 2013-03-13
APPROVED: BRH 2013-03-13

MATERIAL:
FINISH:
REPLACES:
DA3000-144E2-SPX

THIRD ANGLE PROJECTION



GEOTEK
A Whole New World of Composites
1421 SECOND AVE NW
STEWARTVILLE, MN 55976
(800) 533-1680
www.geotekinc.com

DESCRIPTION:
DEADEND ASSEMBLY, SERIES 3000
144 in, PUPI SPX

SIZE: DWG. NO. **B DA3000144E2SPX2** REV: **1.1**
SCALE: 1:16 WEIGHT: 79.86 LBS SHEET 1 OF 1