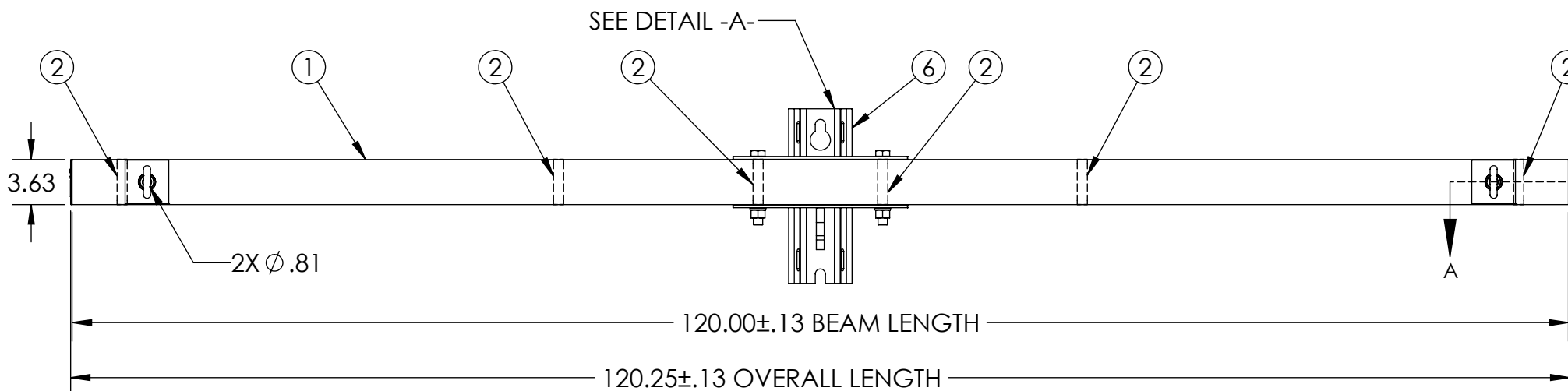
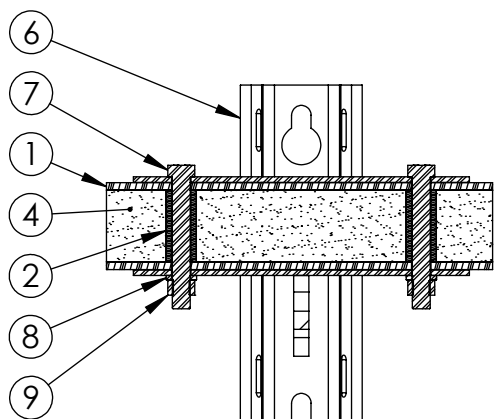
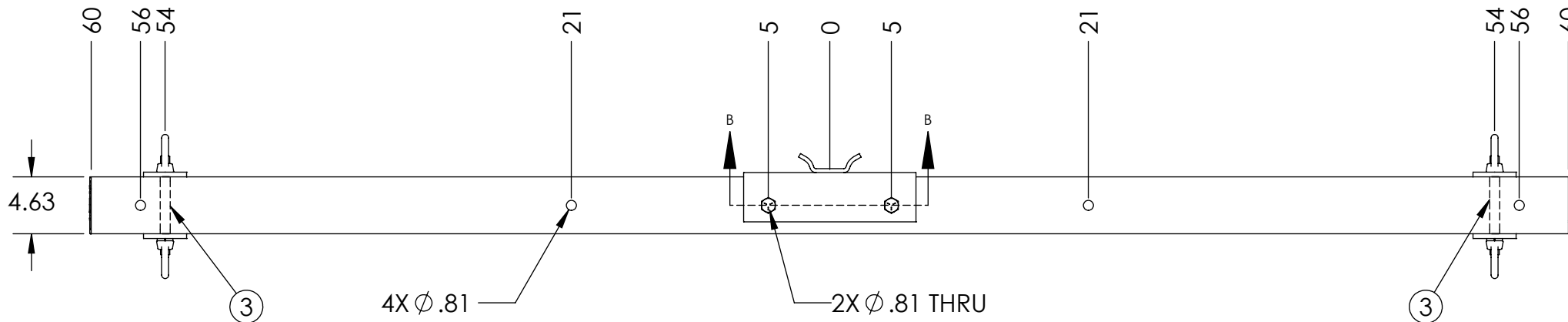
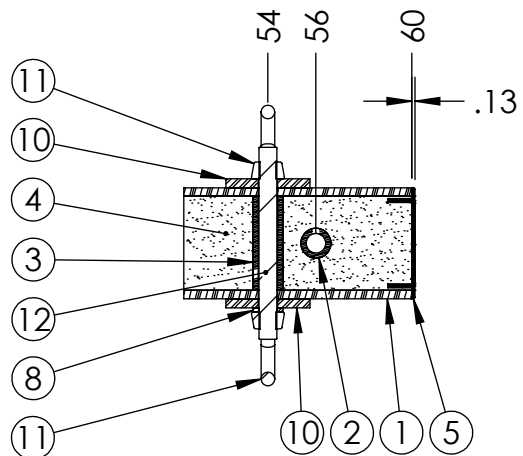
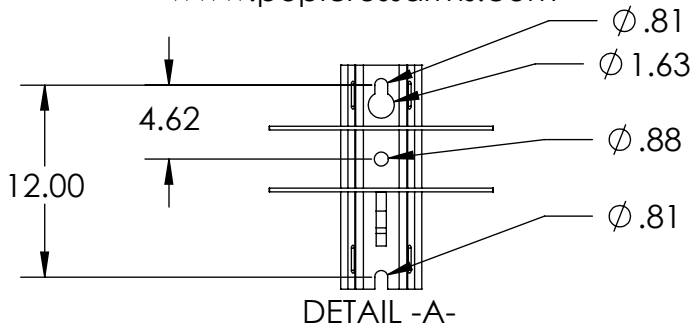


ITEM NO.	PART NUMBER	DESCRIPTION	DESCRIPTION 2	QTY
1	FB-120-3000-2	BEAM, PULTRUDED STOCK	SERIES 3000 x 120 in, GRAY	1
2	TG0813-0042	BUSHING	13/16 in x 3 in	6
3	TG0813-0041	BUSHING	13/16 in x 3-15/16 in	2
4	FOAM	-	-	1
5	EC30-0002-2	END CAP	SERIES 3000, GRAY	2
6	DM-0033	MOUNT ASSEMBLY, DEADEND	HDLH	1
7	HB0750-0001	HEX BOLT	3/4 in - 10 x 5-1/2 in	2
8	LW0750-0001	LOCK WASHER	3/4 in	4
9	HN0750-0001	HEX NUT	3/4 in - 10	2
10	SW0813-0003	SQUARE WASHER	13/16 in, 3-1/2 in x 3/8 in	4
11	EN0750-0002	EYE NUT	3/4 in - 10	4
12	TR0750-0002	THREADED ROD	3/4 in - 10 x 8 in	2

**PUPI**<sup>®</sup>  
www.pupicrossarms.com

REVISIONS			
REV.	DESCRIPTION	DATE	INITIALS
1.0	ADDED REPLACES NOTE IN TITLE BLOCK	2011-11-03	CAS
2.0	ADDED REPLACES PREVIOUS ITEM NOTE IN TITLE BLOCK	2011-11-29	EFH
2.1	REDRAWN IN SOLIDWORKS	2013-02-19	RAF



NOTES:  
1. CENTER OF MOUNT HOLE(S) TO HOLES TOLERANCE  $\pm 0.06$

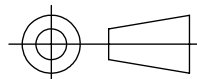
-----UNLESS OTHERWISE SPECIFIED-----  
DIMENSIONS ARE IN INCHES  
INTERPRET DIM AND TOL PER ASME Y14.5-2009  
ANGULAR: MACH  $\pm 2^\circ$   
BEND  $\pm 2^\circ$   
TWO PLACE DECIMAL  $\pm 0.02$   
THREE PLACE DECIMAL  $\pm 0.005$

**PROPRIETARY AND CONFIDENTIAL**  
THE INFORMATION CONTAINED IN THIS DRAWING IS THE SOLE PROPERTY OF GEOTEK. ANY REPRODUCTION IN PART OR AS A WHOLE WITHOUT THE WRITTEN PERMISSION OF GEOTEK IS PROHIBITED.

STATE: RELEASED 2013-03-13  
DRAWN: RAF 2013-02-19  
CHECKED: BRH 2013-03-13  
APPROVED: BRH 2013-03-13

MATERIAL:  
FINISH:  
REPLACES: DA3000-120E2-B9X

THIRD ANGLE PROJECTION



**GEOTEK**  
A Whole New World of Composites  
1421 SECOND AVE NW  
STEWARTVILLE, MN 55976  
(800) 533-1680  
www.geotekinc.com

DESCRIPTION:  
**DEADEND ASSEMBLY, SERIES 3000**  
**120 in, PUPI B9X**

SIZE: DWG. NO.  
**B DA3000120E2B9X2**

SCALE: 1:12 WEIGHT: 71.55 LBS

REV:  
**2.1**

SHEET 1 OF 1