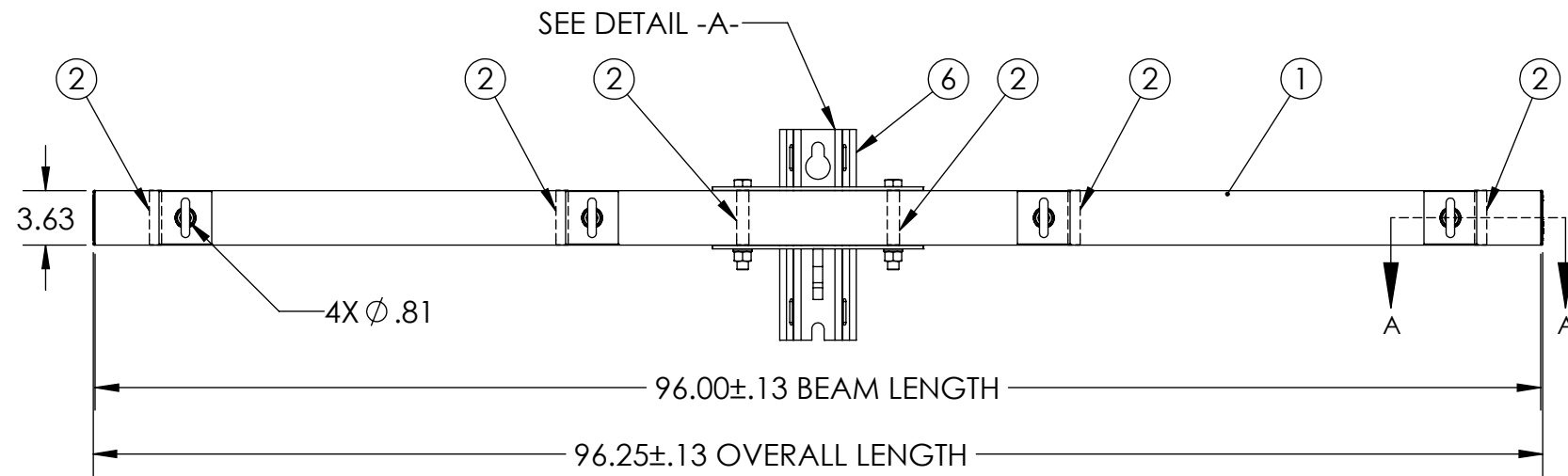
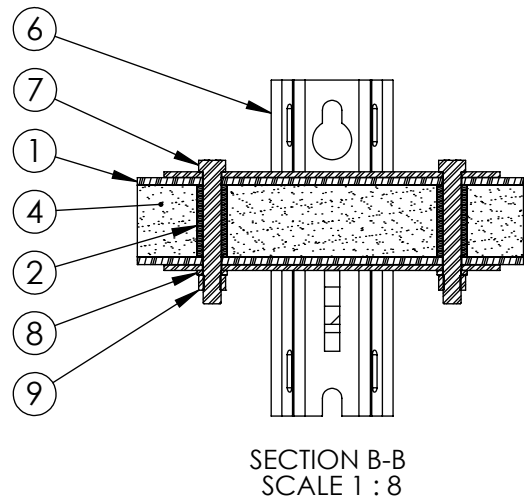
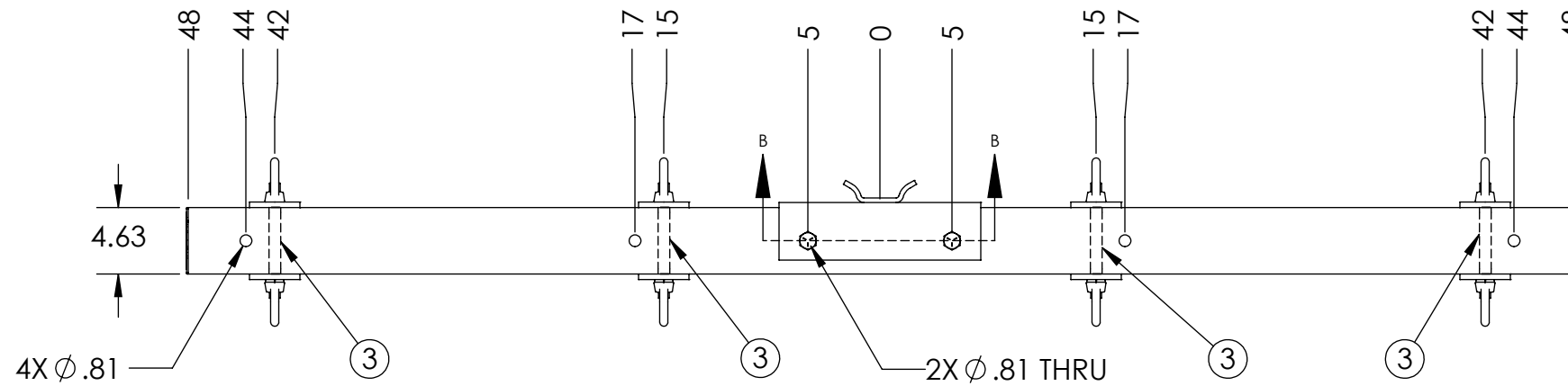
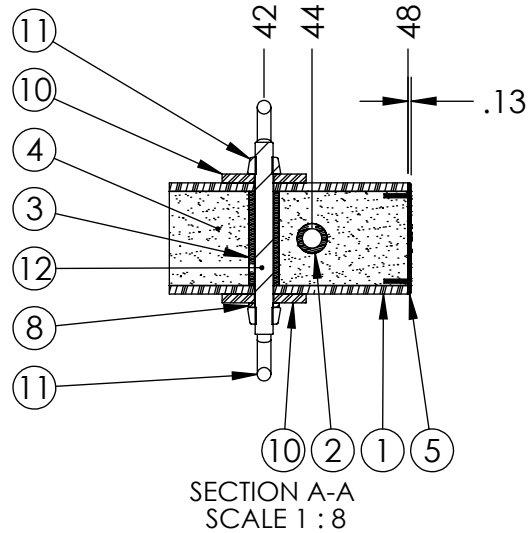
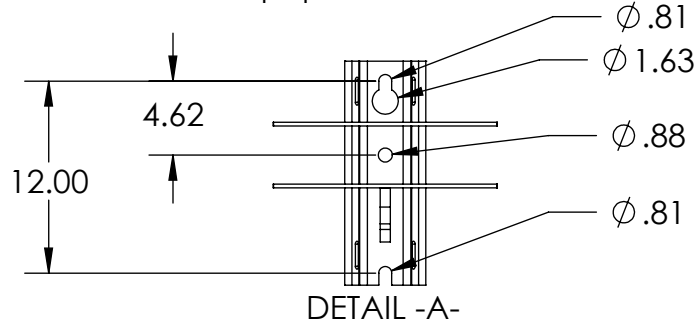


ITEM NO.	PART NUMBER	DESCRIPTION	DESCRIPTION 2	QTY
1	FB-096-3000-2	BEAM, PULTRUDED STOCK	SERIES 3000 x 96 in, GRAY	1
2	TG0813-0042	BUSHING	13/16 in x 3 in	6
3	TG0813-0041	BUSHING	13/16 in x 3-15/16 in	4
4	FOAM	-	-	1
5	EC30-0002-2	END CAP	SERIES 3000, GRAY	2
6	DM-0033	MOUNT ASSEMBLY, DEADEND	HDLH	1
7	HB0750-0001	HEX BOLT	3/4 in - 10 x 5-1/2 in	2
8	LW0750-0001	LOCK WASHER	3/4 in	6
9	HN0750-0001	HEX NUT	3/4 in - 10	2
10	SW0813-0003	SQUARE WASHER	13/16 in, 3-1/2 in x 3/8 in	8
11	EN0750-0002	EYE NUT	3/4 in - 10	8
12	TR0750-0002	THREADED ROD	3/4 in - 10 x 8 in	4

PUPI[®]
www.pupicrossarms.com

REVISIONS			
REV.	DESCRIPTION	DATE	INITIALS
1.0	ADDED REPLACES PREVIOUS ITEM NOTE IN TITLE BLOCK	2011-11-29	EFH
1.1	REDRAWN IN SOLIDWORKS	2013-02-19	RAF



NOTES:
1. CENTER OF MOUNT HOLE(S) TO HOLES TOLERANCE ± 0.06

<p>-----UNLESS OTHERWISE SPECIFIED----- DIMENSIONS ARE IN INCHES INTERPRET DIM AND TOL PER ASME Y14.5-2009 ANGULAR: MACH $\pm 2^\circ$ BEND $\pm 2^\circ$ TWO PLACE DECIMAL ± 0.02 THREE PLACE DECIMAL ± 0.005</p> <p>PROPRIETARY AND CONFIDENTIAL THE INFORMATION CONTAINED IN THIS DRAWING IS THE SOLE PROPERTY OF GEOTEK. ANY REPRODUCTION IN PART OR AS A WHOLE WITHOUT THE WRITTEN PERMISSION OF GEOTEK IS PROHIBITED.</p>	STATE: RELEASED	2013-03-13
	DRAWN: RAF	2013-02-19
	CHECKED: BRH	2013-03-13
	APPROVED: BRH	2013-03-13
	MATERIAL:	
	FINISH:	
	REPLACES:	DA3000-96E4-B7X
	THIRD ANGLE PROJECTION	

 A Whole New World of Composites	1421 SECOND AVE NW STEWARTVILLE, MN 55976 (800) 533-1680 www.geotekinc.com	
	DESCRIPTION: DEADEND ASSEMBLY, SERIES 3000 96 in, PUPI B7X	
SIZE: DWG. NO.	B DA3000096E4B7X2	REV: 1.1
SCALE: 1:12	WEIGHT: 72.79 LBS	SHEET 1 OF 1