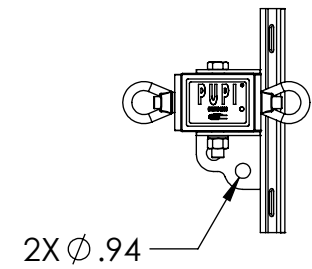
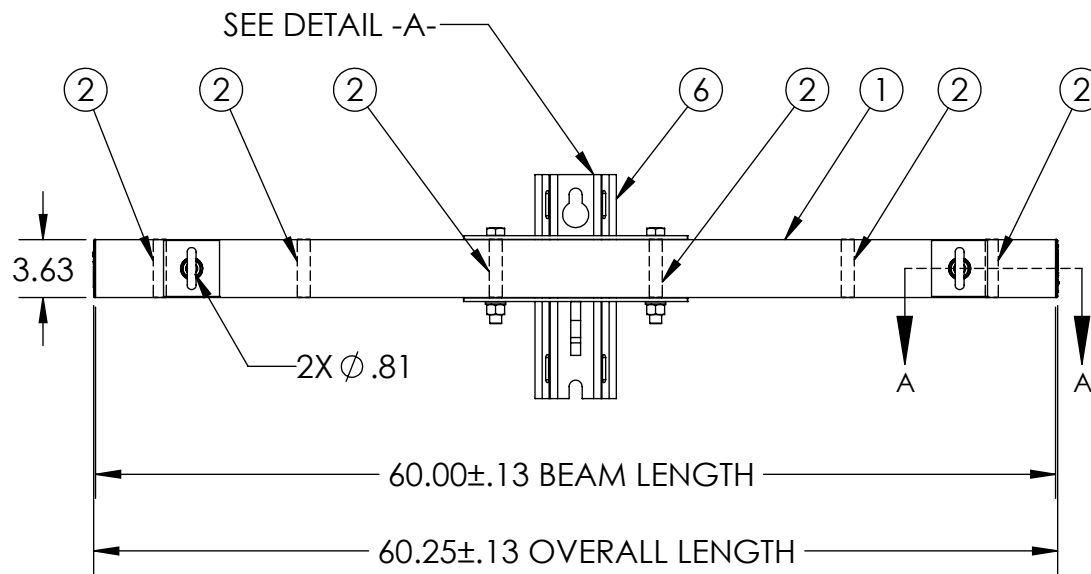
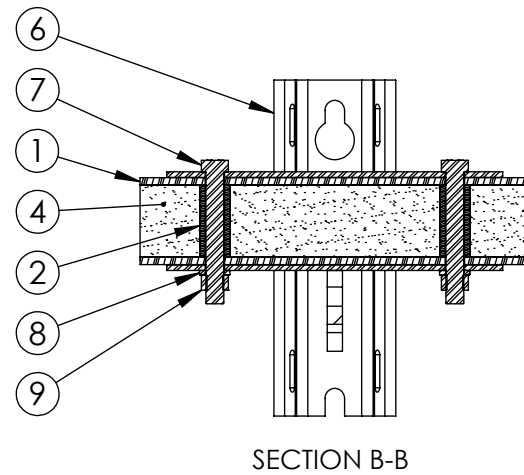
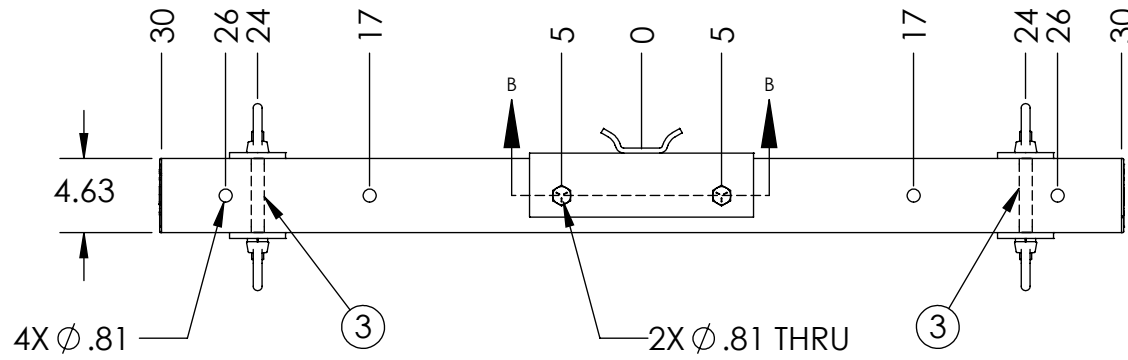
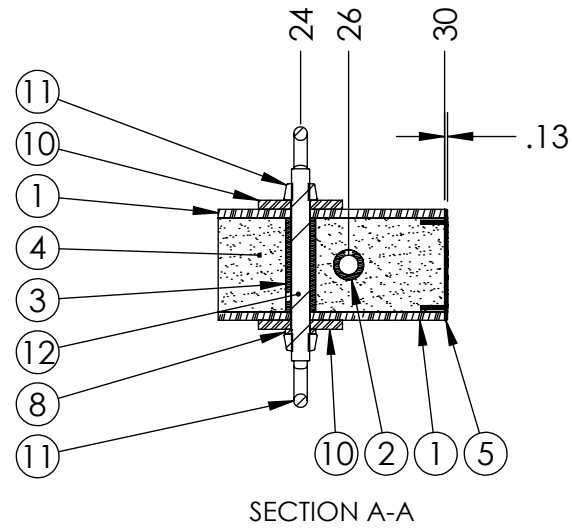
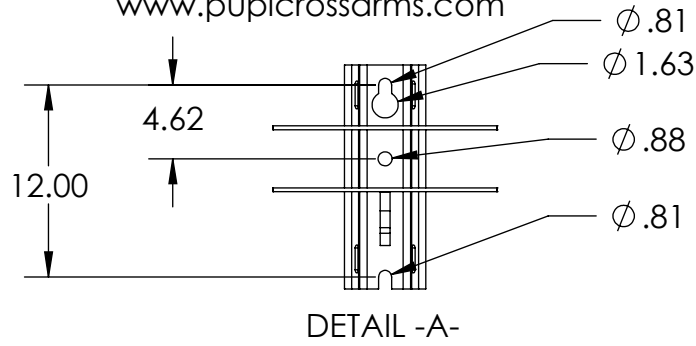


ITEM NO.	PART NUMBER	DESCRIPTION	DESCRIPTION 2	QTY
1	FB-060-3000-2	BEAM, PULTRUDED STOCK	SERIES 3000 x 60 in, GRAY	1
2	TG0813-0042	BUSHING	13/16 in x 3 in	6
3	TG0813-0041	BUSHING	13/16 in x 3-15/16 in	2
4	FOAM			1
5	EC30-0002-2	END CAP	SERIES 3000, GRAY	2
6	DM-0033	MOUNT ASSEMBLY, DEADEND	HDLH	1
7	HB0750-0001	HEX BOLT	3/4 in - 10 x 5-1/2 in	2
8	LW0750-0001	LOCK WASHER	3/4 in	4
9	HN0750-0001	HEX NUT	3/4 in - 10	2
10	SW0813-0003	SQUARE WASHER	13/16 in, 3-1/2 in x 3/8 in	4
11	EN0750-0002	EYE NUT	3/4 in - 10	4
12	TR0750-0002	THREADED ROD	3/4 in - 10 x 8 in	2

PUPI[®]
www.pupicrossarms.com

REVISIONS			
REV.	DESCRIPTION	DATE	INITIALS
1.0	ADDED REPLACES PREVIOUS ITEM NOTE IN TITLE BLOCK	2011-11-29	EFH
1.1	REDRAWN IN SOLIDWORKS	2013-02-19	RAF



NOTES:
1. CENTER OF MOUNT HOLE(S) TO HOLES TOLERANCE ±0.06

<p>-----UNLESS OTHERWISE SPECIFIED-----</p> <p>DIMENSIONS ARE IN INCHES</p> <p>INTERPRET DIM AND TOL PER ASME Y14.5-2009</p> <p>ANGULAR: MACH ±2°</p> <p>BEND ±2°</p> <p>TWO PLACE DECIMAL ±0.02</p> <p>THREE PLACE DECIMAL ±0.005</p>	<p>STATE: RELEASED 2013-03-13</p> <p>DRAWN: RAF 2013-02-19</p> <p>CHECKED: BRH 2013-03-13</p> <p>APPROVED: BRH 2013-03-13</p> <p>MATERIAL:</p>	<p>1421 SECOND AVE NW STEWARTVILLE, MN 55976 (800) 533-1680 www.geotekinc.com</p>
	<p>FINISH:</p> <p>REPLACES: DA3000-60E2-SPX</p>	
<p>PROPRIETARY AND CONFIDENTIAL</p> <p>THE INFORMATION CONTAINED IN THIS DRAWING IS THE SOLE PROPERTY OF GEOTEK. ANY REPRODUCTION IN PART OR AS A WHOLE WITHOUT THE WRITTEN PERMISSION OF GEOTEK IS PROHIBITED.</p>	<p>THIRD ANGLE PROJECTION</p>	<p>DESCRIPTION: DEADEND ASSEMBLY, SERIES 3000 60 in, PUPI SPX</p>
	<p>SCALE: 1:12</p> <p>WEIGHT: 50.20 LBS</p>	<p>SIZE: DWG. NO. B DA3000060E2SPX2</p>