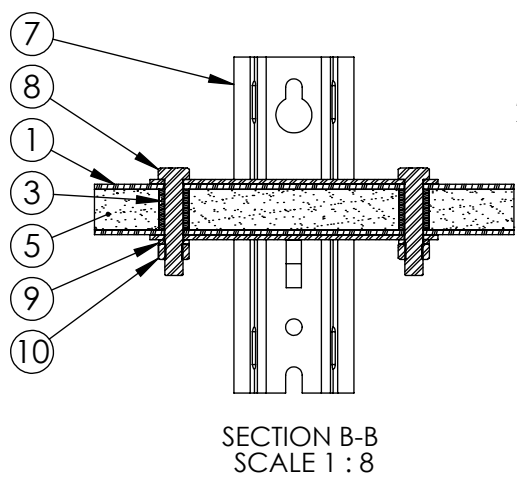
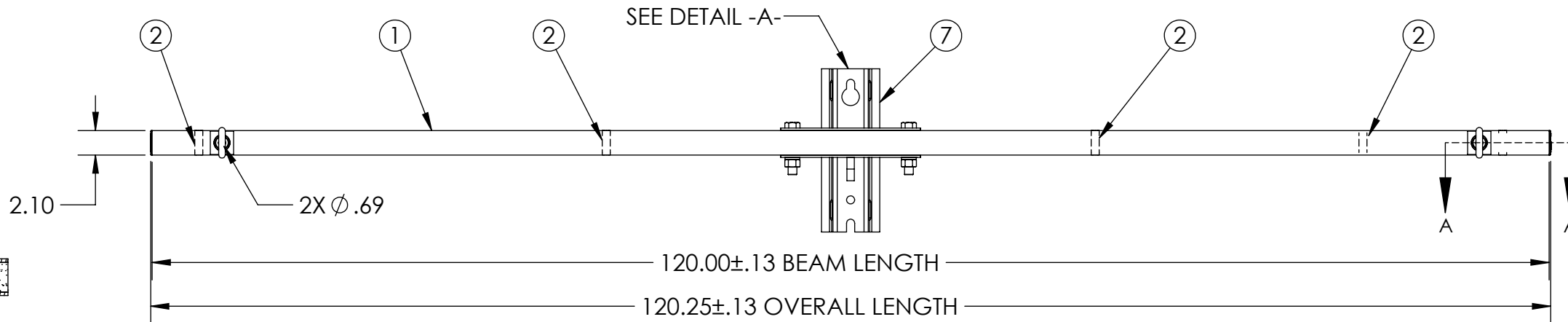
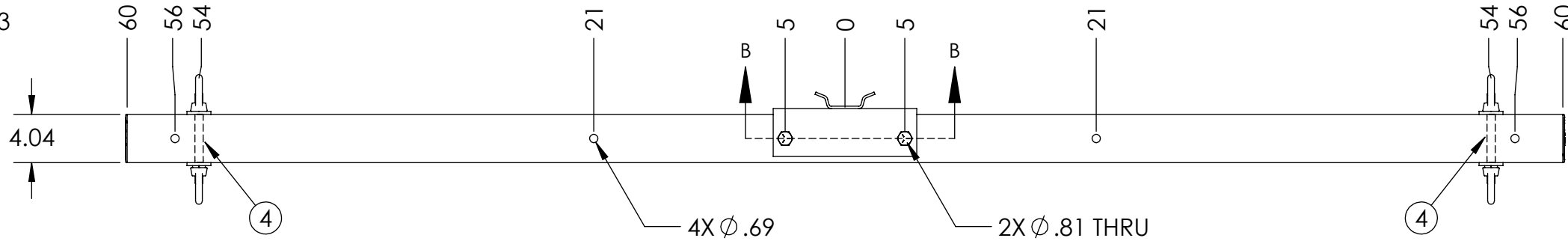
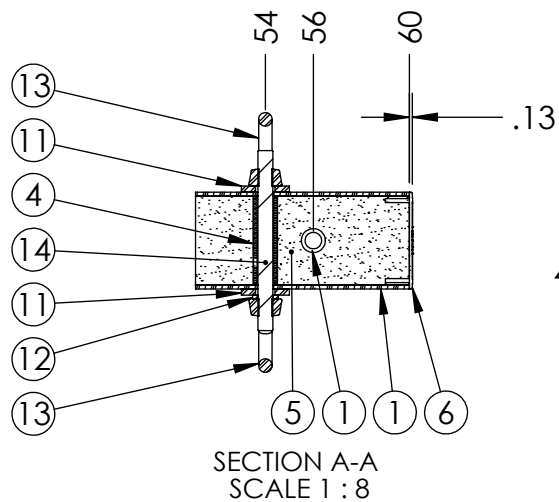
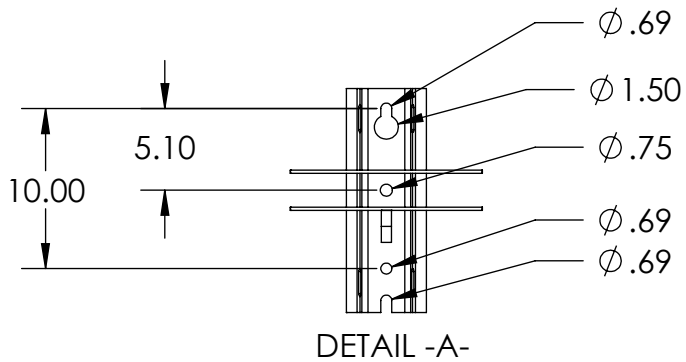


ITEM NO.	PART NUMBER	DESCRIPTION	DESCRIPTION 2	QTY.
1	FB-120-1000-2	BEAM, PULTRUDED STOCK	SERIES 1000 x 120 in, GRAY	1
2	TG0688-0016	BUSHING	11/16 in x 1-11/16 in	4
3	TG0813-0018	BUSHING	13/16 in x 1-11/16 in	2
4	TG0688-0015	BUSHING	11/16 in x 3-11/16 in	2
5	FOAM	-	-	1
6	EC10-0007-2	END CAP	SERIES 1000, GRAY	2
7	DM-0012	MOUNT ASSEMBLY, DEADEND	1K	1
8	HB0750-0005	HEX BOLT	3/4 in - 10 x 4 in	2
9	LW0750-0001	LOCK WASHER	3/4 in	2
10	HN0750-0001	HEX NUT	3/4 in - 10	2
11	SW0813-0006	SQUARE WASHER	13/16 in, 2 in x 1/4 in	4
12	LW0625-0004	LOCK WASHER	5/8 in	2
13	EN0625-0003	EYE NUT	5/8 in - 11	4
14	TR0625-0001	THREADED ROD	5/8 in - 11 x 7-1/2 in	2

**PUPI**<sup>®</sup>  
www.pupicrossarms.com

REVISIONS			
REV.	DESCRIPTION	DATE	INITIALS
1.0	ADDED REPLACES PREVIOUS ITEM NOTE IN TITLE BLOCK	2011-11-29	EFH
1.1	REDRAWN IN SOLIDWORKS	2013-02-18	RAF



NOTES:  
1. CENTER OF MOUNT HOLE(S) TO HOLES TOLERANCE  $\pm 0.06$

-----UNLESS OTHERWISE SPECIFIED-----  
DIMENSIONS ARE IN INCHES  
INTERPRET DIM AND TOL PER ASME Y14.5-2009  
ANGULAR: MACH  $\pm 2^\circ$   
BEND  $\pm 2^\circ$   
TWO PLACE DECIMAL  $\pm 0.02$   
THREE PLACE DECIMAL  $\pm 0.005$

**PROPRIETARY AND CONFIDENTIAL**  
THE INFORMATION CONTAINED IN THIS DRAWING IS THE SOLE PROPERTY OF GEOTEK. ANY REPRODUCTION IN PART OR AS A WHOLE WITHOUT THE WRITTEN PERMISSION OF GEOTEK IS PROHIBITED.

STATE: RELEASED 2013-03-08  
DRAWN: RAF 2013-02-18  
CHECKED: BRH 2013-03-08  
APPROVED: BRH 2013-03-08  
MATERIAL:  
FINISH:  
REPLACES: DAT000-120E2-B9X  
THIRD ANGLE PROJECTION

1421 SECOND AVE NW  
STEWARTVILLE, MN 55976  
(800) 533-1680  
www.geotekinc.com

**GEOTEK**  
A Whole New World of Composites

DESCRIPTION:  
**DEADEND ASSEMBLY, SERIES 1000**  
**120 in, PUPI B9X**

SIZE: DWG. NO. **B DA1000120E2B9X2**  
SCALE: 1:12 WEIGHT: 34.95 LBS

REV: **1.1**  
SHEET 1 OF 1