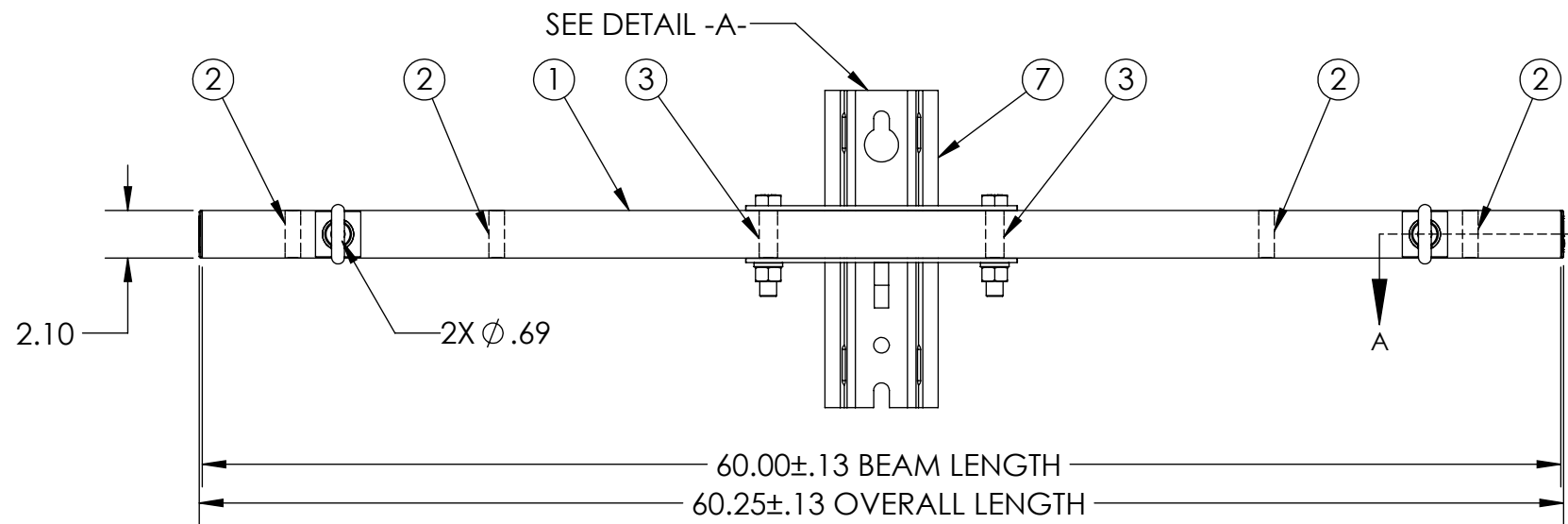
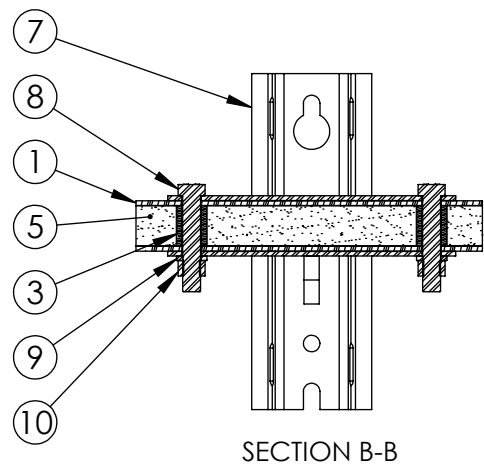
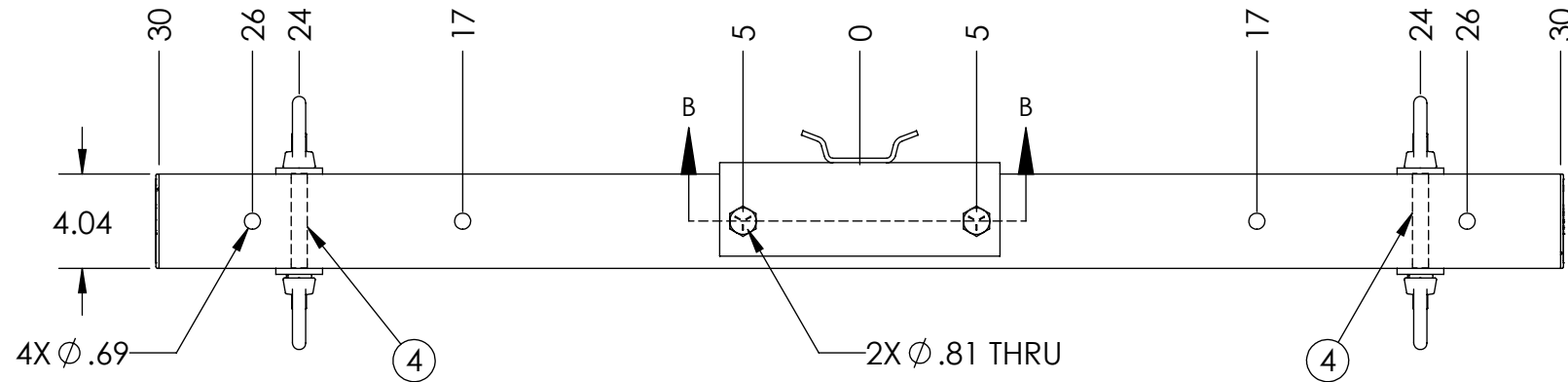
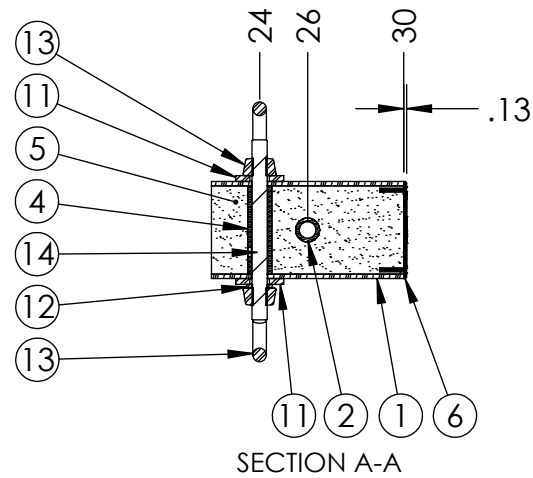
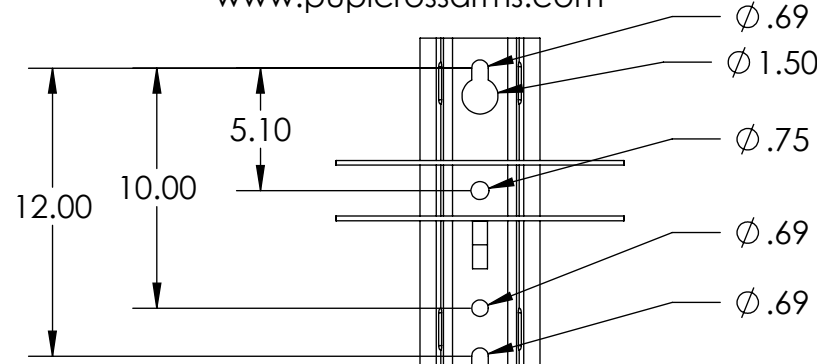


ITEM NO.	PART NUMBER	DESCRIPTION	DESCRIPTION 2	QTY
1	FB-060-1000-2	BEAM, PULTRUDED STOCK	SERIES 1000 x 60 in, GRAY	1
2	TG0688-0016	BUSHING	11/16 in x 1-11/16 in	4
3	TG0813-0018	BUSHING	13/16 in x 1-11/16 in	2
4	TG0688-0015	BUSHING	11/16 in x 3-11/16 in	2
5	FOAM	-	-	1
6	EC10-0007-2	END CAP	SERIES 1000, GRAY	2
7	DM-0012	MOUNT ASSEMBLY, DEADEND	1K	1
8	HB0750-0005	HEX BOLT	3/4 in - 10 x 4 in	2
9	LW0750-0001	LOCK WASHER	3/4 in	2
10	HN0750-0001	HEX NUT	3/4 in - 10	2
11	SW0813-0006	SQUARE WASHER	13/16 in, 2 in x 1/4 in	4
12	LW0625-0004	LOCK WASHER	5/8 in	2
13	EN0625-0003	EYE NUT	5/8 in - 11	4
14	TR0625-0001	THREADED ROD	5/8 in - 11 x 7-1/2 in	2

PUPI[®]
www.pupicrossarms.com

REVISIONS			
REV.	DESCRIPTION	DATE	INITIALS
1.0	ADDED REPLACES PREVIOUS ITEM NOTE IN TITLE BLOCK	2011-11-29	EFH
1.1	REDRAWN IN SOLIDWORKS	2013-02-18	RAF
1.2	CORRECT MATERIAL PROPERTY OF FOAM, WAS NOT SPECIFIED	2013-07-12	RAF

1.2



NOTES:
1. CENTER OF MOUNT HOLE(S) TO HOLES TOLERANCE ± 0.06

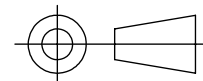
-----UNLESS OTHERWISE SPECIFIED-----
DIMENSIONS ARE IN INCHES
INTERPRET DIM AND TOL PER ASME Y14.5-2009
ANGULAR: MACH $\pm 2^\circ$
BEND $\pm 2^\circ$
TWO PLACE DECIMAL ± 0.02
THREE PLACE DECIMAL ± 0.005

PROPRIETARY AND CONFIDENTIAL
THE INFORMATION CONTAINED IN THIS DRAWING IS THE SOLE PROPERTY OF GEOTEK. ANY REPRODUCTION IN PART OR AS A WHOLE WITHOUT THE WRITTEN PERMISSION OF GEOTEK IS PROHIBITED.

STATE: RELEASED 2013-07-12
DRAWN: RAF 2013-02-18
CHECKED: BRH 2013-07-12
APPROVED: BRH 2013-07-12
MATERIAL:

FINISH:
REPLACES: DAT000-60E2-SPX

THIRD ANGLE PROJECTION



GEOTEK
A Whole New World of Composites
1421 SECOND AVE NW
STEWARTVILLE, MN 55976
(800) 533-1680
www.geotekinc.com

DESCRIPTION:
DEADEND ASSEMBLY, SERIES 1000
60 in, PUPI SPX

SIZE: DWG. NO. **B DA1000060E2SPX2** REV: **1.2**
SCALE: 1:8 WEIGHT: 25.99 LBS SHEET 1 OF 1